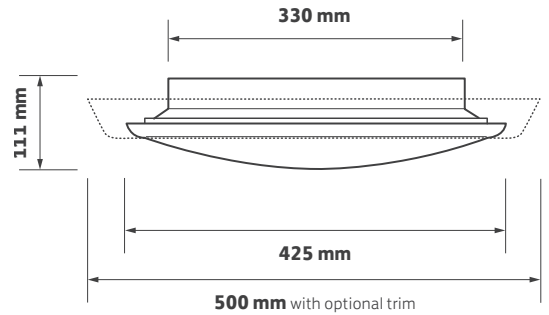




Features

- ▶ LED bulkhead
- ▶ Built around the Tridonic CLE LED module
- ▶ Opal polycarbonate diffuser to minimise glare and LED spotting
- ▶ Integrated microwave presence detector option
- ▶ Emergency and dimming options
- ▶ Life 50,000 hours (L70)

Technical Drawing



Ordering Information

Model Ref.	Module Options		Control Gear Options	
	Lumen Output (lm)	Colour Temp (K)	Fixed Output	/ECO
109.1501	1790	3000	●	●
109.1502	1950	4000	●	●
109.4001	2600	3000	●	●
109.4002	2840	4000	●	●

Options

Please select from the options below.

/EM	3 hour emergency
/SO	Sensor on/off
/SD	Sensor dim (10 / 100%)*
Accessories	Please see accessories sheet

***/SD** not available with **/ECO**



Accessories



DB001
Gloss white trim



DB002
Brushed aluminium effect trim



DB003
Chrome trim