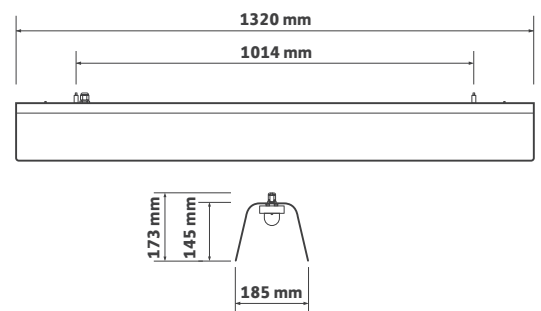




Key Features

- ▶ Decorative hand finished LED pendant
- ▶ Integrated Tridonic LLE LED module to aid Part L compliance
- ▶ High transmission frosted PMMA diffuser for homogeneous illumination
- ▶ Available in three desirable colourways as standard
- ▶ Bespoke paint finishes available
- ▶ Adjustable 2 m suspension cables
- ▶ Interior finish in white satin
- ▶ Complements 126 Series

Technical Drawing



Ordering Information

Module Output	Power	Colour	Model Ref.
1600 lm	11 W	830	127.001
1600 lm	11 W	840	127.002

Options

Please select from the options below.

Black satin outer, white satin inner	/B
Grey satin outer, white satin inner	/G
Red gloss outer, white satin inner	/R

Contact sales for product variations



Options



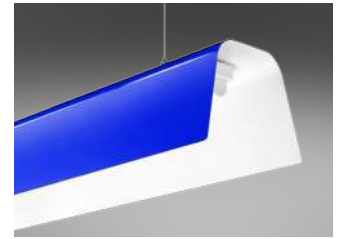
/B
Black satin outer, white satin inner



/G
Grey satin outer, white satin inner



/R
Red gloss outer, white satin inner



Product variations
Other colours and specifications
available on request



LED pendants available
Please see 126 Series datasheet