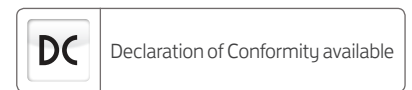
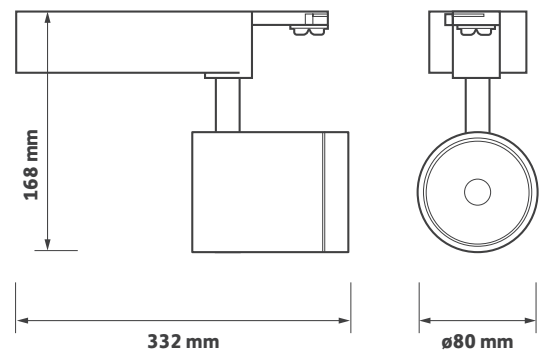




Key Features

- ▶ A contemporary track spotlight with horizontal gear housing
- ▶ Swivel and tilt adjustment for added flexibility
- ▶ High colour rendering option
- ▶ Medium beam reflector as standard, other beam options available
- ▶ Compatible with 3 circuit Global Trac
- ▶ Short circuit, overload and temperature protection
- ▶ 5 year warranty, first year on-site
- ▶ White as standard, black is also available

Technical Drawing



Ordering Information

Output	Power	Colour	Model Ref.
1025 lm	11 W	830	151.001
1025 lm	11 W	840	151.003
1750 lm	23 W	830	151.005
1750 lm	23 W	840	151.007

Options

Please select from the options below.

Black	/BK
Narrow beam	/NB
Wide beam	/WB
High colour rendering	R_a >90

Options



/NB
Narrow beam reflector



/WB
Wide beam reflector



High colour rendering
See technical

Finishes



/BK
Black

Also Available



Product variations
Other colours and specifications
available on request



Vertical gear housing
See 150 Series



Track
See Stucchi ONETRACK