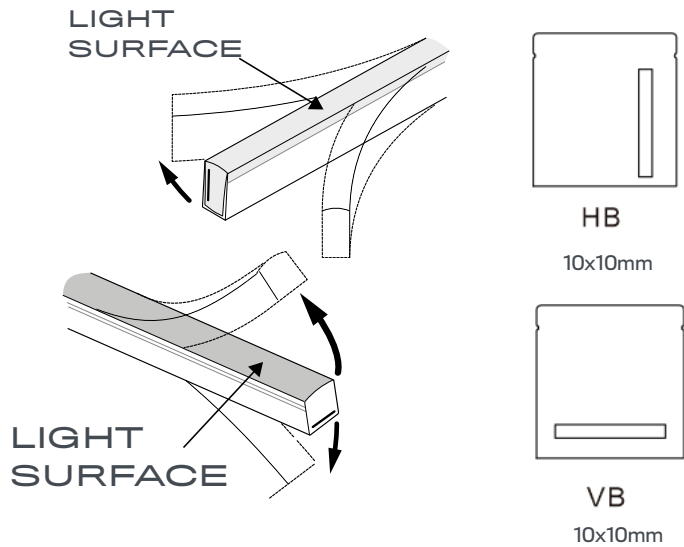
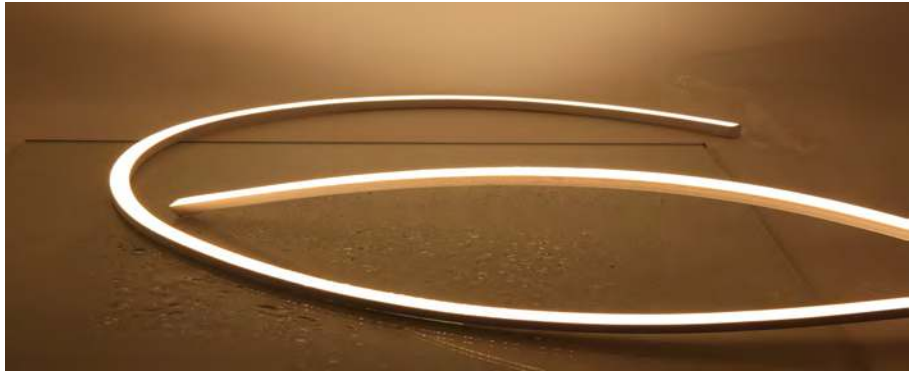




Specification	
Working Voltage:	24V DC
Rated Power/m:	4.5W
Min. Cutting Length:	83.3mm
Continuous Length:	10m (Single-end power feeding)
Lumen Output/m:	140lm (White)
Working temperature:	-20°C ~ +45°C (PVC), -40°C ~ +55°C (Silicone)



KEY FEATURES

- Flat Light Surface and Square Profile Suitable for Recessed Installation
- Small Dimension with Tight Bending Diameter of 100mm
- Horizontal Bending and Vertical Bending Direction
- Available in Single Color Only
- Ideal for Yacht and Marine Lighting
- Outdoor IP65 Rated



Ordering Information			
Model No	IP Rated Options	Colour	Description
AL-LEDNEON4.5W-VB/HB-2700*	20/40/65	WARM WHITE 2700K	FLEXIBLE PVC LED NEON
AL-LEDNEON4.5W-VB/HB-3000*	20/40/65	WARM WHITE 3000K	FLEXIBLE PVC LED NEON
AL-LEDNEON4.5W-VB/HB-4000*	20/40/65	NATURAL WHITE 4000K	FLEXIBLE PVC LED NEON
AL-LEDNEON4.5W-VB/HB-5700*	20/40/65	COOL WHITE 5700K	FLEXIBLE PVC LED NEON
AL-LEDNEON4.5W-VB/HB-R/G/B/A*	20/40/65	RED / GREEN / BLUE / AMBER	FLEXIBLE PVC LED NEON

*Power Feed/End Cap Sold Separately



IP20/40/65

WARRANTY: 3 YEARS

