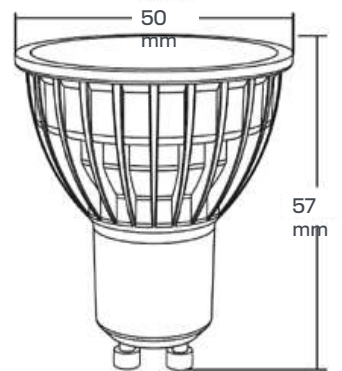




Specification	
Input Voltage (V)	220-240
Input Frequency (Hz)	50-60
Drivers	TRIDONIC
CRI (Ra)	80
Life (H)	>60000 (L80/F10)
Operating Temperature (°c)	-25 to +35
IP Rating	IP40
Warranty (yrs)	3



### KEY FEATURES

GU10 RGB+CCT LED Lamp  
 2.4GHz RF remote controllable, WiFi-enabled smartphone control. 16 Million colours to choose from, colour temperature, brightness & saturation controllable.



Ordering Information	
Model No	Description
AL-GU10 RGB-CCT	4W RGB-CCT GU10

IP40

WARRANTY: 3 YEARS

