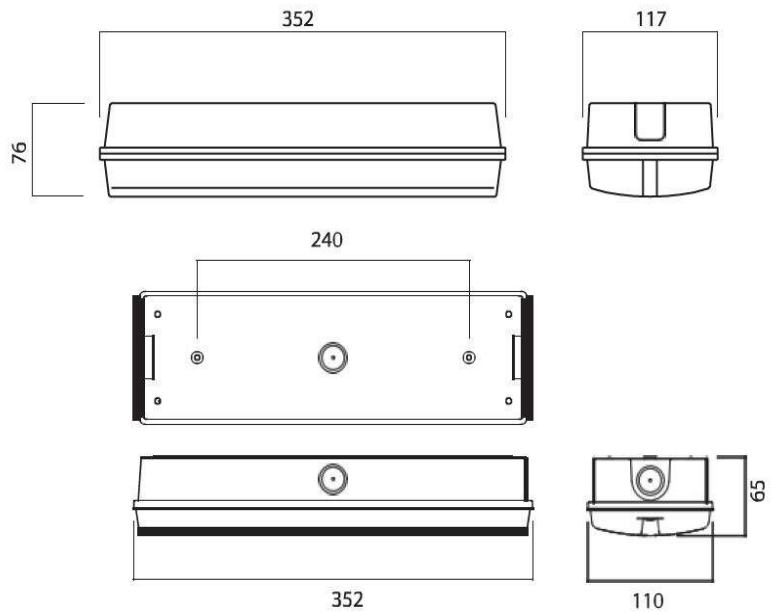




Specification	
Input Voltage	220 TO 240 AC
Input Frequency (Hz)	50-60
Drivers	INCLUDED
Life (H)	30000 HOURS
Operating Temperature (°c)	-25 to 50
IP Rating	IP65
Warranty	3 Years

Physical Data	
Shape	RECTANGULAR
Colour	WHITE
Finish	POLYCARBONATE



KEY FEATURES

- Maintained and Non maintained optional
- Viewing Distance upto 20M
- Upto 70% of energy savings
- 3 Hours Standby
- 6w or 2w optional
- IP65
- 4 legend supplied

Ordering Information	
Part Number	Description
AL-MENIP65BHLEDM/NM	Maintained/Non Maintained Emergency Bulk Head
AL-MENIP65BHLEDM/NM-V2	Maintained/Non Maintained Emergency Bulk Head v2