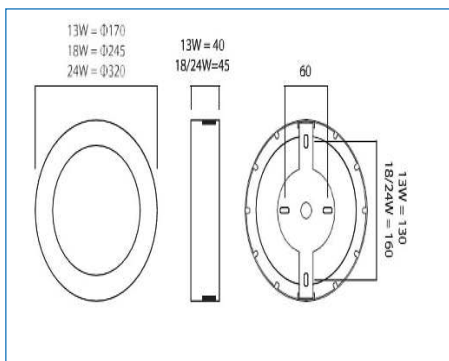




Specification	
Input Voltage	220 -250 AC
Input Frequency (Hz)	50-60
Drivers	INCLUDED
CRI	≥80
Life (H)	50000
Operating Temperature (°c)	-25 to 60
IP Rating	IP40
Warranty	5 Years

Physical Data	
Shape	ROUND
Colour	WHITE
Finish	POLYCARBONATE



KEY FEATURES

- Diecast Aluminium Bazel
- Upto 70% of energy savings
- 50,000 Hours life
- UV Stable Acrylic diffuser
- Surface mounted, Slimline
- IP 40, 5 Years

Ordering Information						
Part Number	Power (W)	Lumen	Cutout (mm)	Height (mm)	Width (mm)	Colour Temp
AL-SURFACE-13	13	836	170	40	N/A	4000
AL-SURFACE-18	18	1360	245	45	N/A	4000
AL-SURFACE-24	24	1919	320	45	N/A	4000