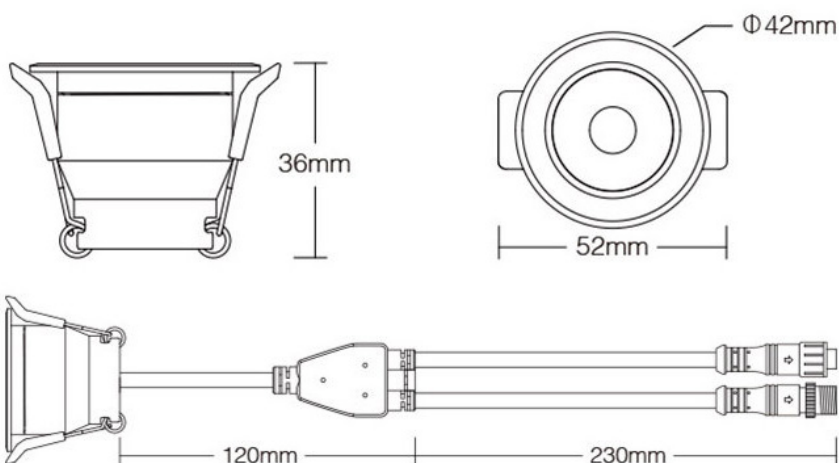




Specification	
Power	3W
Input Voltage	12V
Color Temperature	22000K/3000K
Beam Angle	36°
IP Rate	IP66
Lifespan	50000 hours
Hole Size	ø33~36mm
Material	Aluminum
Working Temperature	-10~40°C
Additional Accessories	1m Extended Cable - IP Rated



KEY FEATURES

- IP66 Mini Downlight
- 3W / 12V
- Colour Temperatures available - 3000K/4000K/CCT/RGB/RGBW(2200K)
- Dimmable
- Cut-Out Diameter: 36mm

Ordering Information

Part Number	IP Rating	Colour	Description
AL-SPOT-3K-3W-12V	IP66	WHITE	3W 3000K SPOT LIGHT IP66 12V
AL-SPOT-4K-3W-12V	IP66	WHITE	3W 4000K SPOT LIGHT IP66 12V
AL-SPOT-CCT-3W-12V	IP66	WHITE	3W 2700K~6500K SPOT LIGHT IP66 12V
AL-SPOT-RGB-3W-12V	IP66	RGB	3W RGB SPOT LIGHT IP66 12V
AL-SPOT-RGBW-3W-12V	IP66	RGBW	3W RGBW SPOT LIGHT IP66 12V (2200K)



IP66

WARRANTY: 3 YEARS

UK
CA

