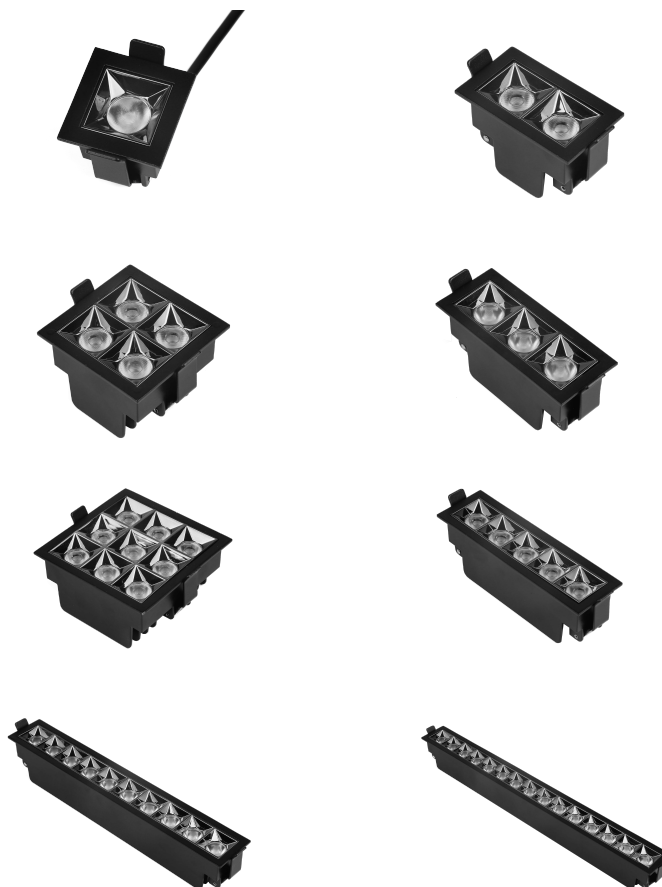




Specification	
Power:	4W/6W/9W/11W 13W/23W/25W/37W
Voltage:	AC 220-240V
Work Temperature:	20°C ~45°C
Color Temperature:	2700K/4000K
CRI:	90
Beam Angle:	36°
IP Rate:	IP20
Warranty:	3 Years



KEY FEATURES

Recessed linear downlights 1 x 1 to 15 x 1 layout. Beam angle 36°
4W to 37W

Ordering Information	
Model No	Description
AL-HOLM-1X1-BLK-827	Linear Recessed Downlight 4W,140lm,Beam Angle 36°,2700K
AL-HOLM-1X1-BLK-840	Linear Recessed Downlight 4W,190lm,Beam Angle 36°,4000K
AL-HOLM-2X1-BLK-827	Linear Recessed Downlight 6W,270lm,Beam Angle 36°,2700K
AL-HOLM-2X1-BLK-840	Linear Recessed Downlight 6W,370lm,Beam Angle: =°4000K
AL-HOLM-3X1-BLK-827	Linear Recessed Downlight 9W,400lm,Beam Angle 36°,2700K
AL-HOLM-3X1-BLK-840	Linear Recessed Downlight 9W,600lm,Beam Angle 36°,4000K
AL-HOLM-2X2-BLK-827	Linear Recessed Downlight 11W,480lm,Beam Angle 36°,2700K
AL-HOLM-2X2-BLK-840	Linear Recessed Downlight 11W,710lm,Beam Angle: =°,4000K
AL-HOLM-5X1-BLK-827	Linear Recessed Downlight 13W,650lm,Beam Angle 36°,2700K
AL-HOLM-5X1-BLK-840	Linear Recessed Downlight 13W,940lm,Beam Angle 36°,4000K
AL-HOLM-3X3-BLK-827	Linear Recessed Downlight 23W,1160lm,Beam Angle 36°,2700K
AL-HOLM-3X3-BLK-840	Linear Recessed Downlight 23W,1760lm,Beam Angle: =°4000K
AL-HOLM-10X1-BLK-827	Linear Recessed Downlight 25W,1220lm,Beam Angle 36°,2700K
AL-HOLM-10X1-BLK-840	Linear Recessed Downlight 25W,1820lm,Beam Angle 36°,4000K
AL-HOLM-15X1-BLK-827	Linear Recessed Downlight 37W,1990lm,Beam Angle: =°,2700K
AL-HOLM-15X1-BLK-840	Linear Recessed Downlight 37W,2830lm,Beam Angle: =°4000K

Product Specification Sheet

Product Description	AL-HOLM Linear Recessed LED Downlights			
Product Code	AL-HOLM-1X1-BLK-827 AL-HOLM-1X1-BLK-840	AL-HOLM-2X1-BLK-827 AL-HOLM-2X1-BLK-840	AL-HOLM-3X1-BLK-827 AL-HOLM-3X1-BLK-840	AL-HOLM-2X2-BLK-827 AL-HOLM-2X2-BLK-840
Product Description	UGR19 LED Downlight 45*45*42mm Cutout: 37*37mm, 4W ,	UGR19 LED Downlight 76*45*51mm Cutout: 68*37mm 6W	UGR19 LED Downlight 105*45*51mm Cutout: 97*37mm 9W	UGR19 LED Downlight 75*75*51mm Cutout: 67*67mm, 11W
Input Voltage	AC 220-240V	AC 220-240V	AC 220-240V	AC 220-240V
Total Wattage	4W	6W	9W	11W
Luminaire Lumens	140lm±5%(2700K) 190lm±5%(4000K)	270lm±5%(2700K) 370lm±5%(4000K)	400lm±5%(2700K) 600lm±5%(4000K)	480lm±5%(2700K) 710lm±5%(4000K)
Lumens P/Watt	2700K-35lm/W±5% 47lm/W±5%(4000K)	2700K-45lm/W±5% 60lm/W±5%(4000K)	2700K-44m/W±5% 66lm/W±5%(4000K)	2700K-43lm/W±5% 64lm/W±5%(4000K)
LED Chips	CREE XP-G2 SMD CRI90	CREE XP-G2 SMD CRI90	CREE XP-G2 SMD CRI90	CREE XP-G2 SMD CRI90
LED Forward Voltage / Current LED	DC3V/700mA±5%	DC6V/700mA±5%	DC9V/700mA±5%	DC12V/700mA±5%
LED Chip Lifetime (L70)	36000hrs	36000hrs	36000hrs	36000hrs
CCT / CRI / SDCM	2700K or 4000K/CRI90/SDCM <6	2700K or 4000K/CRI90/SDCM <6	2700K or 4000K/CRI90/SDCM <6	2700K or 4000K/CRI90/SDCM <6
Driver	KEDH003S0700NR5 2A7	KEDH006S0700NR5 2A1	KEDH012S0700NR1 2A1	KEDH012S0700NR1 2A1
Power Factor	0.5	0.8	0.8	0.8
Running Current	≤0.05A	≤0.04A	≤0.06A	≤0.07A
Inrush Current	≤10A/600us	≤10A/600us	≤13A/200us	≤18A/160us
Material / Finish (RAL)	Black (RAL9005)	Black (RAL9005)	Black (RAL9005)	Black (RAL9005)
Class / IP / IK	Class II /IP20/IK06	Class II /IP20/IK06	Class II /IP20/IK06	Class II /IP20/IK06
Beam Angle	36°	36°	36°	36°
Glow Wire Testing	750°C	750°C	750°C	750°C
Product Weight	N/W: 0.12kg	N/W: 0.16kg	N/W: 0.21kg	N/W: 0.22kg
Temperature	-20°C ~45°C	-20°C ~45°C	-20°C ~45°C	-20°C ~45°C
Warranty	3 years	3 years	3 years	3 years
Certificates	CE	CE	CE	CE

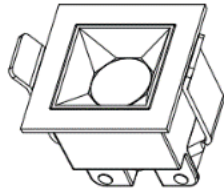
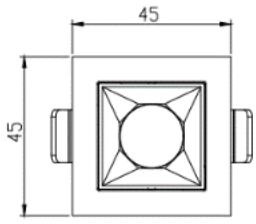
Product Specification Sheet

Product Description	AL-HOLM Linear Recessed LED Downlights			
Product Code	AL-HOLM-5X1-BLK-827 AL-HOLM-5X1-BLK-840	AL-HOLM-3X3-BLK-827 AL-HOLM-3X3-BLK-840	AL-HOLM-10X1-BLK-827 AL-HOLM-10X1-BLK-840	AL-HOLM-15X1-BLK-827 AL-HOLM-15X1-BLK-840
Product Description	UGR19 LED Downlight 147*45*51mm Cutout:139*37mm, 13W	UGR19 LED Downlight 105*105*51mm Cutout:97*97mm, 23W	UGR19 LED Downlight 280*45*51mm Cutout:272*37mm 25W	UGR19 LED Downlight 413*45*51mm Cutout: 405*37mm, 37W
Input Voltage	AC 220-240V	AC 220-240V	AC 220-240V	AC 220-240V
Total Wattage	13W	23W	25W	37W
Luminaire Lumens	650lm±5%(2700K) 940lm±5%(4000K)	1160lm±5%(2700K) 1760lm±5%(4000K)	1220lm±5%(2700K) 1820lm±5%(4000K)	1990lm±5%(2700K) 2830lm±5%(4000K)
Lumens P/Watt	50lm/W±5%(2700K) 72lm/W±5%(4000K)	50m/W±5%((2700K)) 76lm/W±5%(4000K)	49m/W±5%(2700K) 72lm/W±5%(4000K)	53lm/W±5%((2700K)) 76lm/W±5%(4000K)
LED Chips	CREE XP-G2 SMD CRI90	CREE XP-G2 SMD CRI90	CREE XP-G2 SMD CRI90	CREE XP-G2 SMD CRI90
LED Forward Voltage / Current LED	DC15V/700mA±5%	DC27V/700mA±5%	DC30V/700mA±5%	DC45V/700mA±5%
LED Chip Lifetime (L70)	36000hrs	36000hrs	36000hrs	36000hrs
CCT / CRI / SDCM	CRI90/SDCM<6	CRI90/SDCM<6	CRI90/SDCM<6	CRI90/SDCM<6
Driver	KEDH012S0700NR12 A1	KEDH024S0700NR2 2A9	KEDH024S0700NR2 2A9	KEDH036S0700NR22 A9
Power Factor	0.8	0.9	0.9	0.9
Running Current	≤0.09A	≤0.13A	≤0.14A	≤0.21A
Inrush Current	≤18A/160us	≤28.9A/380us	≤28.9A/380us	≤26.4A/420us
Material / Finish (RAL)	Black(RAL9005)	Black(RAL9005)	Black(RAL9005)	Black(RAL9005)
Class / IP/ IK	Class II /IP20/IK06	Class II /IP20/IK06	Class II /IP20/IK06	Class II /IP20/IK06
Beam Angle	36°	36°	36°	36°
Glow Wire Testing	750°C	750°C	750°C	750°C
Product Weight	N/W: 0.27kg	N/W: 0.43kg	N/W: 0.51kg	N/W: 0.71kg
Temperature	-20°C ~45°C	-20°C ~45°C	-20°C ~45°C	-20°C ~45°C
Warranty	3 years	3 years	3 years	3 years
Certificates	CE	CE	CE	CE

Dimensions - Line Drawing

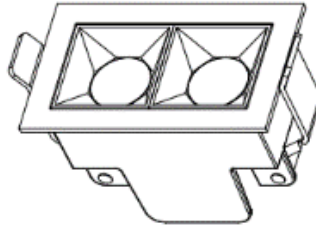
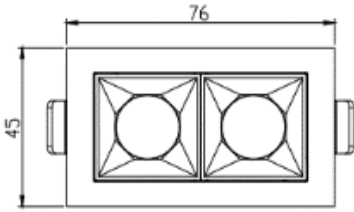
AL-HOLM-1X1-BLK-827

AL-HOLM-1X1-BLK-840



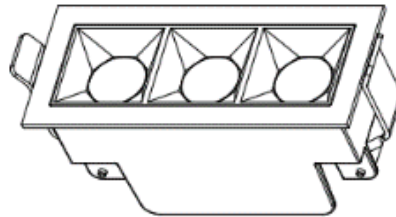
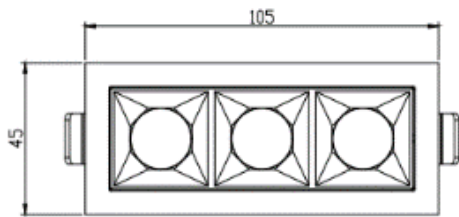
AL-HOLM-2X1-BLK-827

AL-HOLM-2X1-BLK-840



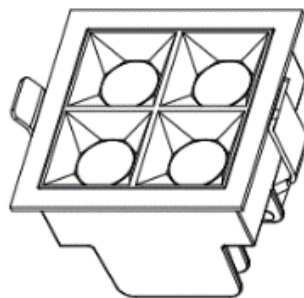
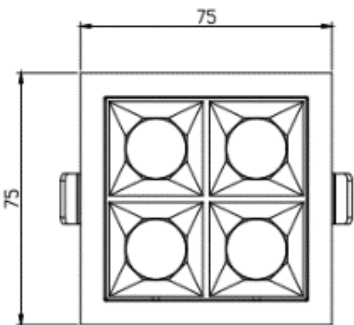
AL-HOLM-3X1-BLK-827

AL-HOLM-3X1-BLK-840



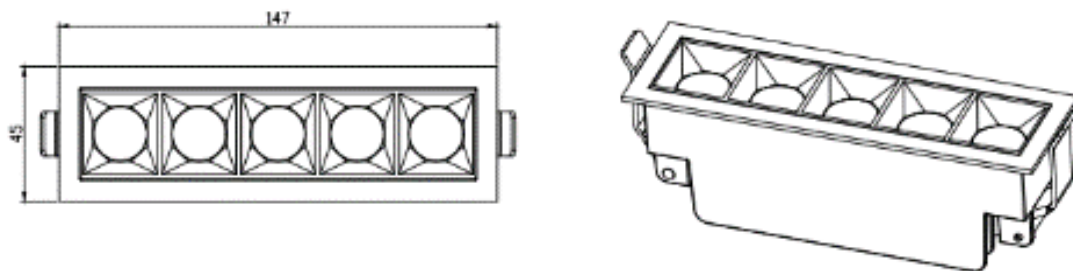
AL-HOLM-2X2-BLK-827

AL-HOLM-2X2-BLK-840

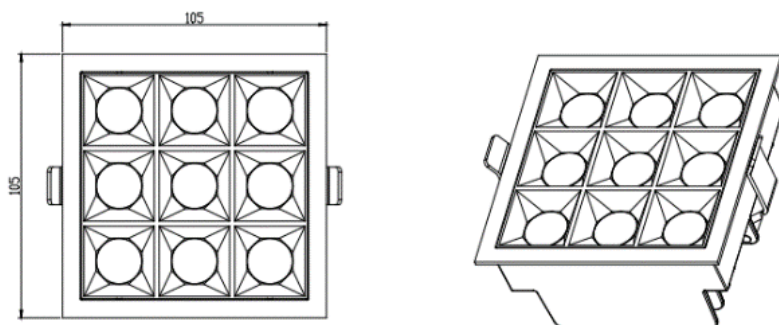


Dimensions - Line Drawing

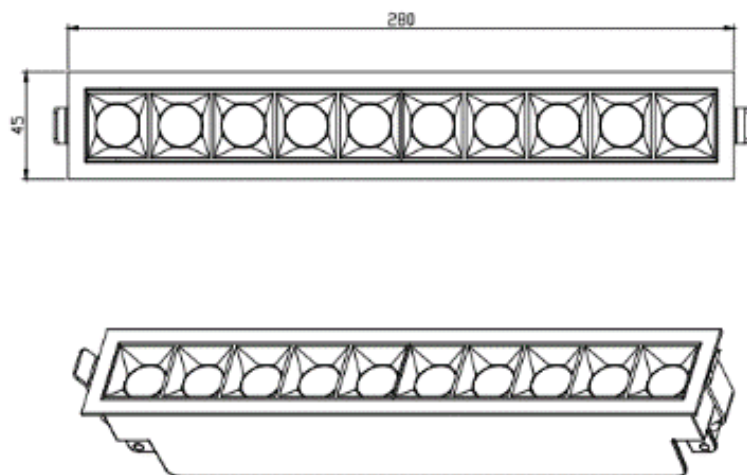
AL-HOLM-5X1-BLK-827 AL-HOLM-5X1-BLK-840



AL-HOLM-3X3-BLK-827 AL-HOLM-3X3-BLK-840



AL-HOLM-10X1-BLK-827 AL-HOLM-10X1-BLK-840



AL-HOLM-15X1-BLK-827 AL-HOLM-15X1-BLK-840

