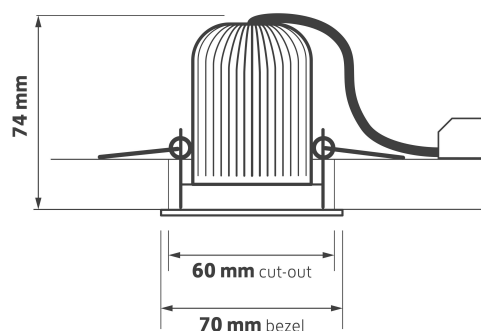
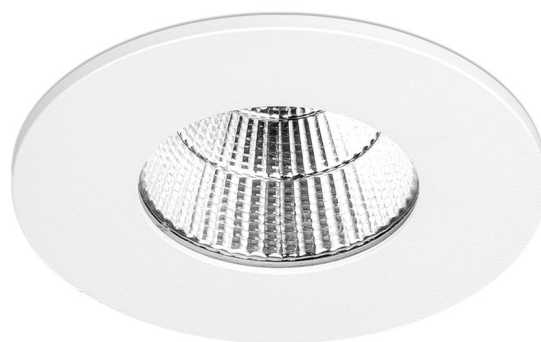




Specification	
Power:	8W
Voltage:	AC 220-240V
Work Temperature:	-25°C ~35°C
Color Temperature:	3000K/4000K
CRI:	80
Weight:	0.3kg
IP Rate:	IP54 Front / IP20 Rear
Warranty:	5 Years



## KEY FEATURES

- Professional, minimal IP54 LED Downlight
- Die-cast low profile bezel, white RAL9003
- Life >50,000 hours L70/F50
- Injection moulded 36° faceted reflector
- High efficacy, low glare
- No visible flicker (IEEE PAR1789 2015)
- Dimming, DALI and emergency options
- 5 year warranty

## Ordering Information

Model No	Lumens	Power	Colour	Colour Temperature
AL-660-001-3K	750	8W	830	3000K
AL-660-002-4K	775	8W	840	4000K