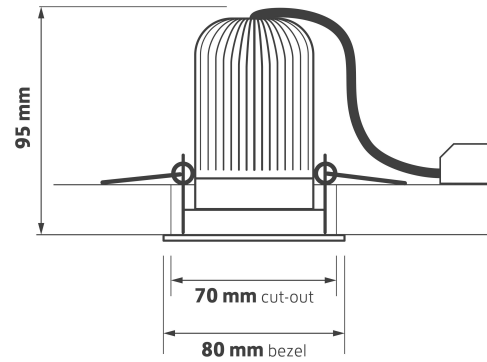




| Specification      |                        |
|--------------------|------------------------|
| Power:             | 8W                     |
| Voltage:           | AC 220-240V            |
| Work Temperature:  | -25°C ~35°C            |
| Color Temperature: | 3000K/4000K            |
| CRI:               | 80                     |
| Weight:            | 0.3kg                  |
| IP Rate:           | IP44 Front / IP20 Rear |
| Warranty:          | 5 Years                |



## KEY FEATURES

- Professional, low glare LED Downlight
- Die-cast bezel and injection moulded base
- Life >50,000 hours L70/F50
- Injection moulded 36° faceted reflector
- No visible flicker (IEEE PAR1789 2015)
- Dimming, DALI and emergency options
- 5 year warranty

### Ordering Information

| Model No      | Lumens | Power | Colour | Colour Temperature |
|---------------|--------|-------|--------|--------------------|
| AL-662-001-3K | 750    | 8W    | 830    | 3000K              |
| AL-662-002-4K | 775    | 8W    | 840    | 4000K              |