



AURALED

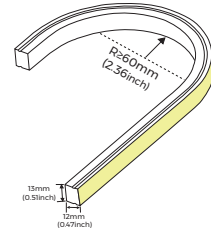
Neon Specification

AL-NMT1312



【Features】

- Light source: high luminous efficiency LED lamp beads, LM80 test certification;
- Process material: three-color silicone extrusion technique is applied, Cutting mark more clear;
- Optical design: unique optical light distribution structure design, uniform light emission on the surface without shadows;
- Appearance design: Standard ESD oil spray, anti-dust; good flexibility, simple shape, exquisite and unique;
- Product certification: UL, CE, ROHS, UACK, CB;
- Environmental characteristics: salt solution resistance, acid and alkali corrosion resistance, flame retardant resistance, UV resistance;
- Working/storage temperature: Ta: -25~55°C / 0°C~60°C;
Symphony working/storage temperature: Ta: -20~40°C / 0°C~60°C;
- Product application: signboard lighting, outdoor/internal decorative lighting, architectural contour application;
- White 5 year warranty, 48V/G/B/CCT/RGB/RGBW with 3 years warranty or working life =36000H, whichever comes first; SPI/DMX512 with warranty 2 years or working life=20000H, whichever comes first.



Note: White/CCT/RGB/RGBW light bending radius R:60mm(2.36inch). SPI/DMX bending radius R:80mm(2.6inch)

【Basic Parameters】

Model	CCT/colors	CRI	Input voltage (V)	Rated current (A/m)	Rated power (w/m)	Maximum power (w/m)	Lumens (LM/m)	Standard Length	Remark
AL-NMT1312- 9XX24 CXN050XCXXX-PRO	2200K	>90	24V	0.4 (0.12A/ft)	9.6 (2.93W/ft)	10.6 (3.23W/ft)	620(189/ft)	5000mm (16.4ft) 10000mm (32.8ft)	7LED/50mm
	2700K						710(216/ft)		
	3000K						740(225/ft)		
	4000K						690(210/ft)		
	5000K						710(216/ft)		
AL-NMT1312- 0X24 CXN050XCXXX-PRO	G 525-530nm	/	24V	0.4 (0.12A/ft)	9.6 (2.93W/ft)	10.6 (3.23W/ft)	/	5000mm (16.4ft) 10000mm (32.8ft)	7LED/50mm
	B 465-470nm						/		
AL-NMT1312- 0RGB24 CXN050XC0500-PRO	RGB	/	24V	0.5 (0.15A/ft)	12 (3.66W/ft)	13.2 (4.02W/ft)	/	5000mm (16.4ft)	7LED/83.3mm
	R 620-630nm						/		
	G 525-530nm						/		
AL-NMT1312- 0RGBXX24 CXN050XC0500-PRO	B 465-470nm	/	24V	0.5 (0.15A/ft)	12 (3.66W/ft)	13.2 (4.02W/ft)	/	5000mm (16.4ft)	12LED/62.5mm
	RGB-2700K						/		
	RGB-3000K						/		
	RGB-3500K						/		
AL-NMT1312- 0RGBXX24 CXN050XC0500-PRO	RGB-4000K	/	24V	0.5 (0.15A/ft)	12 (3.66W/ft)	13.2 (4.02W/ft)	/	5000mm (16.4ft)	12LED/62.5mm
	RGB-5400K						/		
AL-NMT1312- 9SWDW24 CXN050XC0500-PRO	2700-5000K	>90	24V	0.5 (0.15A/ft)	12 (3.66W/ft)	13.2 (4.02W/ft)	710(216/ft)	14LED/55.6mm	

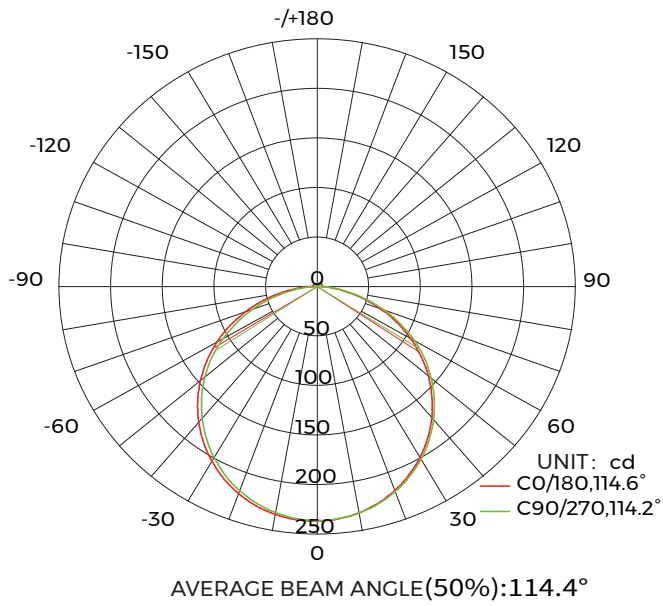
【Basic Parameters】

Model	CCT/colors	CRI	Input voltage (V)	Rated current (A/m)	Rated power (w/m)	Maximum power (w/m)	Lumens (LM/m)	Standard Length	Remark
AL-NMT1312- 9XXX48 CSN050CC5000- PRO(LP)	2200K	>90	48V	0.11 (0.03A/ft)	5.3 (1.62W/ft)	5.8 (1.77W/ft)	390(118/ft)	50000mm (164ft)	
	2700K						370(112/ft)		
	3000K						360(109/ft)		
	4000K						380(115/ft)		
AL-NMT1312- 9XXX48 CSN050CC2000-PRO	2200K	>90	48V	0.2 (0.06A/ft)	9.6 (2.93W/ft)	10.6 (3.23W/ft)	700(213/ft)	20000mm (65.6ft)	12LED/100mm
	2700K						650(198/ft)		
	3000K						650(198/ft)		
	4000K						680(207/ft)		
AL-NMT1312- ORGB48 CSN050CC2000-PRO	RGB	/	48V	0.2 (0.06A/ft)	9.6 (2.93W/ft)	10.6 (3.23W/ft)	/	20000mm (65.6ft)	
	R 620-630nm								
	G 525-530nm								
	B 465-470nm								
AL_NMT1312- ORGBXX48 CSN050CC2000-PRO	RGB-2100K	/	48V	0.2 (0.06A/ft)	9.6 (2.93W/ft)	10.6 (3.23W/ft)	/	20000mm (65.6ft)	24LED/125mm
	RGB-2700K								
	RGB-3000K								
	RGB-3500K								
	RGB-4000K								
	RGB-5400K								
AL-NMT1312- 9LWNW48 CXN050XC0500-PRO	2100-4000K	>90	48V	0.2 (0.06A/ft)	9.6 (2.93W/ft)	10.6 (3.23W/ft)	520(158/ft)	20000mm (65.6ft)	24LED/62.5mm
AL-NMT1312- ORGBX24 CDS025CC0500-PRO- EP(SPI)	RGB	/	24V	0.75 (0.23A/ft)	18 (5.49W/ft)	20.7 (6.31W/ft)	/	5000mm (16.4ft)	7LED/83.3mm SPI-IC:(UCS1603H) DMX-IC:(UCS512B3)
	R 620-630nm								
	G 525-530nm								
	B 465-470nm								
AL-NMT1312- 8XWX24 CDS025CC0500-PRO- EP(SPI)	2200K	>80	24V	0.75 (0.23A/ft)	18 (5.49W/ft)	20.7 (6.31W/ft)	900(274/ft)	5000mm (16.4ft)	7LED/83.3mm SPI-IC:(UCS1603H) DMX-IC:(UCS512B3)
	2700K						1040(317/ft)		
	3000K						1080(329/ft)		
	4000K						990(301/ft)		
AL-NMT1312- ORGBM24 CDS025CC 0500-PRO-EP(DMX512)	RGB	/	24V	0.75 (0.23A/ft)	18 (5.49W/ft)	20.7 (6.31W/ft)	/	5000mm (16.4ft)	7LED/83.3mm SPI-IC:(UCS1603H) DMX-IC:(UCS512B3)
	R 620-630nm								
	G 525-530nm								
	B 465-470nm								
NMT1312- 8XWM24 CDS025CC 0500-PRO-EP(DMX512)	2200K	>80	24V	0.75 (0.23A/ft)	18 (5.49W/ft)	20.7 (6.31W/ft)	900(274/ft)	5000mm (16.4ft)	7LED/83.3mm SPI-IC:(UCS1603H) DMX-IC:(UCS512B3)
	2700K						1040(317/ft)		
	3000K						1080(329/ft)		
	4000K						990(301/ft)		

Note:

1. The above parameters are tested based on 1m/3.28ft standard products;
2. The luminous flux is allowed to have an error range of $\pm 10\%$;
3. The above parameters are typical values;

[Light Distribution]



Light distribution

Flux out:517.6 lm

Height	Eavg,Emax	Angle:114.01°	Diameter
1m	64.33,236.8lx		308.06cm
2m	16.08,59.19lx		616.11cm
3m	7.148,26.31lx		924.17cm
4m	4.021,14.80lx		1232.23cm
5m	2.573,9.471lx		1540.28cm
6m	1.787,6.577lx		1848.34cm
7m	1.313,4.832lx		2156.40cm
8m	1.005,3.699lx		2464.46cm
9m	0.7943,2.923lx		2772.51cm
10m	0.6433,2.368lx		3080.57cm

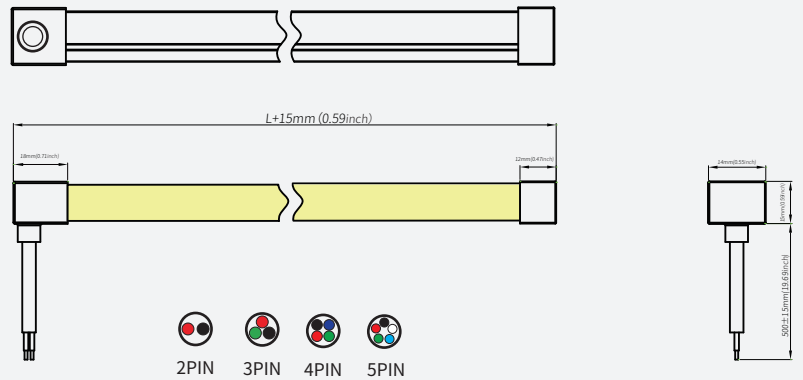
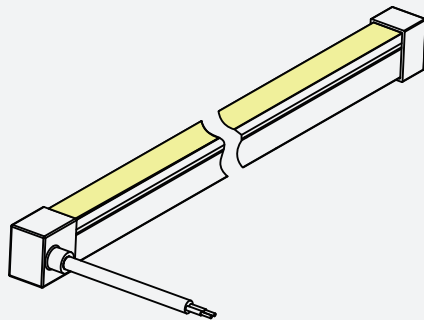
Note:The Curves indicate the illuminated area and the average illumination when the luminaire is at different distance.

Effective average illuminance

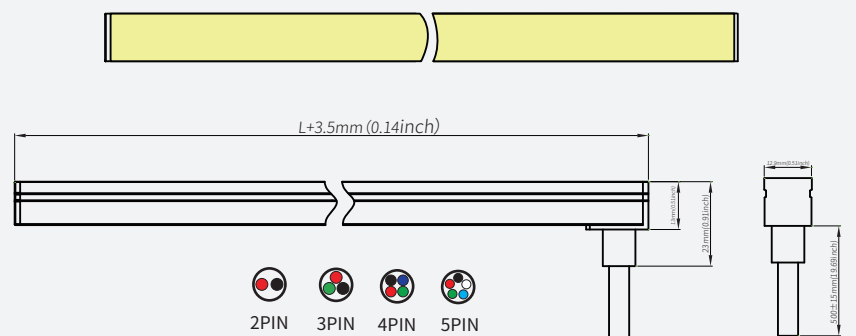
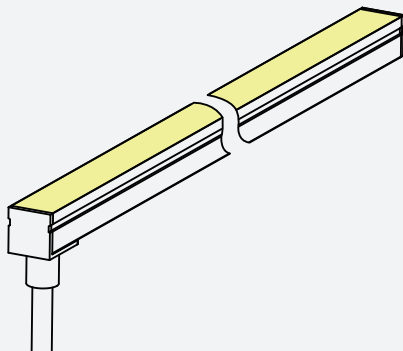
Note: The above data is based on 24V monochrome 4000K color temperature. If you need other models of IES files, please download the corresponding models from the IES database.

[Product mechanical parameters]

· IP65 Glued cap--side outlet

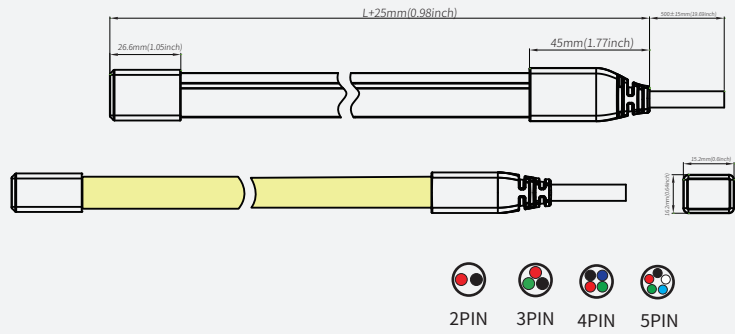
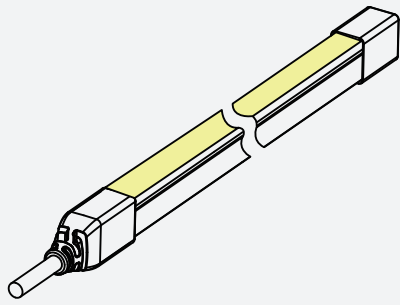


· IP67 No dark cap(NP/ENP)-bottom outlet

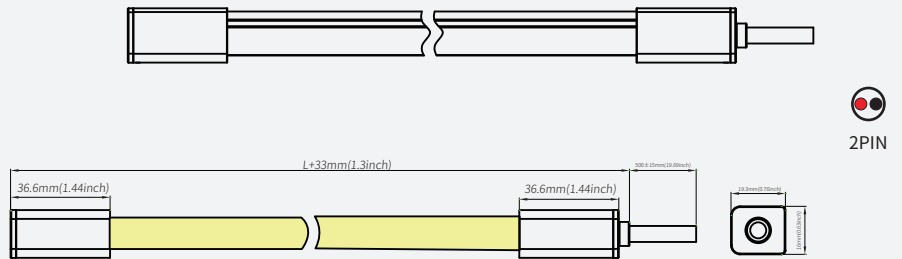
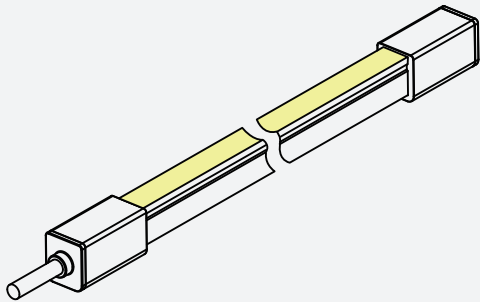


[Product mechanical parameters]

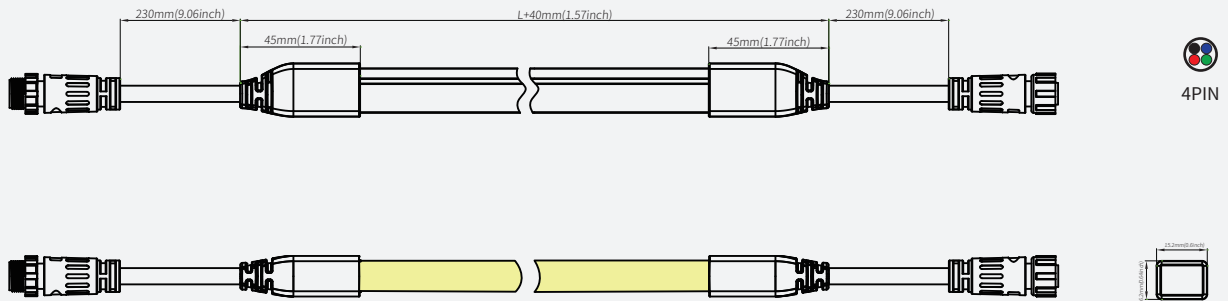
• IP67 Full encapsulated cap(EP)-top outlet



• IP54 Solder-free plug-top outlet



• IP67 Full encapsulated cap(EP)-top outlet



• IP67 No dark cap(NP/ENP)-bottom outlet

