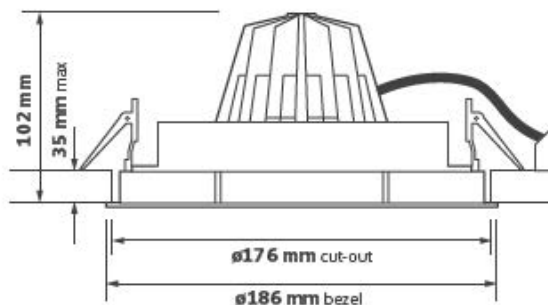




Specification	
Power:	27W
Voltage:	AC 220-240V
Work Temperature:	-25°C ~35°C
Color Temperature:	3000K/4000K
CRI:	90
Weight:	1.2kg
IP Rate:	IP20
Warranty:	5 Years



## KEY FEATURES

- Professional gimbal with a wide choice of options
- Incorporates Philips LED module and driver system
- Multi-faceted 40° reflector supplied as standard
- Height only 102 mm using optimised passive thermodynamics
- Premium White Ra90 LED module as standard
- Life >50,000h L80/B10
- Low glare UGR <19
- ECA and Part L compliant variants
- 5 year warranty

## Ordering Information

Model No	Lumens	Power	Colour	Colour Temperature
AL-6158-3001-3K	2425	27W	930	3000K
AL-6158-3002-4K	2600	27W	940	4000K