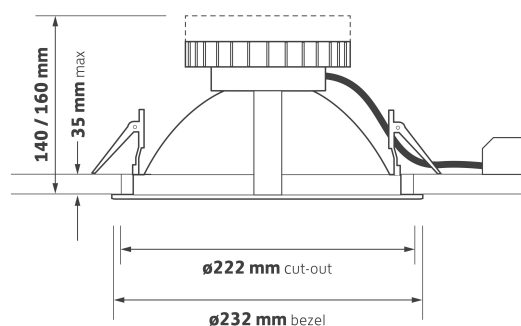




Specification	
Power:	30.5W
Voltage:	AC 220-240V
Work Temperature:	-25°C ~35°C
Color Temperature:	3000K/4000K
CRI:	80
Weight:	1.3kg
IP Rate:	IP20
Warranty:	5 Years



## KEY FEATURES

- Large 232 mm downlight with die-cast bezel IP54 and IP65 options
- Philips LED and driver system for optimum performance
- Tunable white option (Tridonic DLE)
- 50° satin etched reflector as standard or 40° multi-faceted option
- Brilliant white bezel - RAL9016
- DALI, dimming and emergency options
- Lumen depreciation L80/B10 @ 50,000h
- 5 year warranty 2 Years Onsite

Ordering Information				
Model No	Lumens	Power	Colour	Colour Temperature
AL-6200-3000-3K	2850	30.5W	830	3000K
AL-6200-3000-4K	3075	30.5W	840	4000K