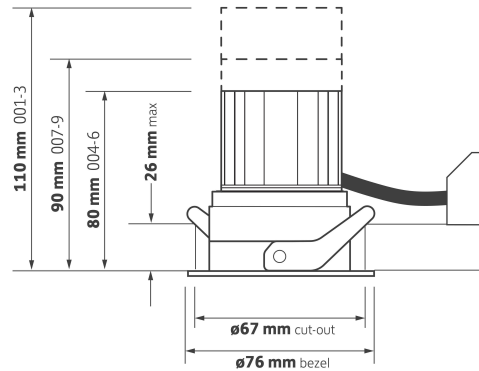




Specification	
Power:	9.5W
Voltage:	AC 220-240V
Work Temperature:	-25°C ~35°C
Color Temperature:	2700K/3000K/ 4000K
CRI:	90
Weight:	0.25kg
IP Rate:	IP54 Front IP20 Rear
Warranty:	5 Years



KEY FEATURES

- Tridonic SLA Essence engine
- Lumen maintenance L70/B50 @ 50,000h
- Engine efficacy up to 85 lm/W (001 - 003)
- Engine efficacy up to 104 lm/W (004 - 009)
- 36° lens as standard, 24° & 12° options
- Die-cast bezel RAL 9016 brilliant white
- Matt black anti-glare baffle
- Wide choice of options and accessories
- Wireless, dimming and emergency options
- 5 year warranty

Ordering Information				
Model No	Lumens	Power	Colour	Colour Temperature
AL-6344-001-2.7K	725	9.5W	927	2700K
AL-6344-002-3K	775	9.5W	930	3000K
AL-6344-003-4K	825	9.5W	940	4000K