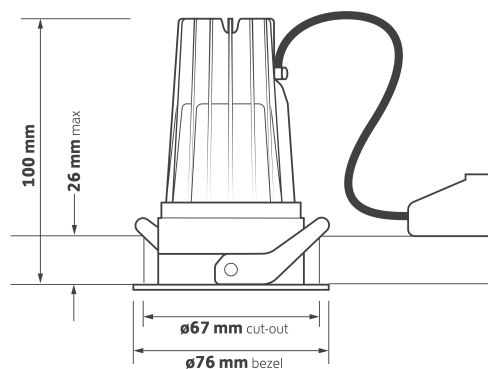




Specification	
Power:	6.5W/8W/10W/15.5W
Voltage:	AC 220-240V
Work Temperature:	-25°C ~25°C/
Color Temperature:	2700K/3000K/ 4000K
CRI:	80/90
Weight:	0.3g
IP Rate:	IP44 Front IP20 Rear
Warranty:	5 Years



KEY FEATURES

- Tridonic SLE advanced LED engine
- Citizen 1150 lm LED engine
- Lumen maintenance >55,000h L70/F10
- 40° reflector as standard, 20° option
- Mini architectural pinhole style downlight
- Die-cast bezel RAL 9016 brilliant white
- Matt black anti-glare baffle
- Wide choice of options and accessories
- Wireless, dimming and emergency options
- 5 year warranty

Ordering Information

Model No	Lumens	Power	Colour	Colour Temperature
AL-6350001-2.7K	525	8W	927	2700K
AL-6350-002-3K	550	6.5W	830	3000K
AL-6350-003-4K	600	6.5W	840	4000K
AL-6350-004-2.7K	700	10W	927	2700K
AL-6350-005-3K	725	8W	830	3000K
AL-6350-006-4K	750	8W	840	4000K
AL-6350-007-3K	1150	15.5W	930	3000K