

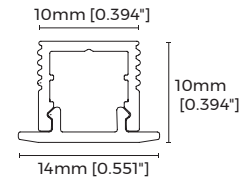
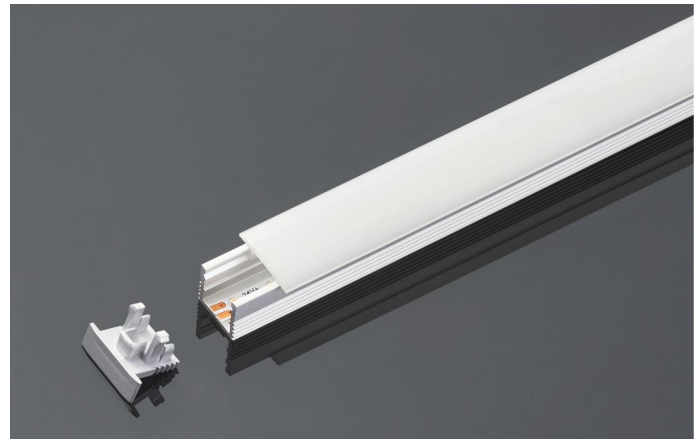
Linear Specification

AL-BE1010



【Basic Parameters】

- Material:AL6063-T5,spraying surface/anodizing
- Coating:Silver anodized(RAL9006),Black(RAL9005), White(RAL9003)
- Length:2500mm/0-2500mm customizable
(Other lengths on request)
- Application: Indoor
- Installation:Recessed
- IP grade:IP20
- Certification:ROHS、 Reach
- Warranty:5 years



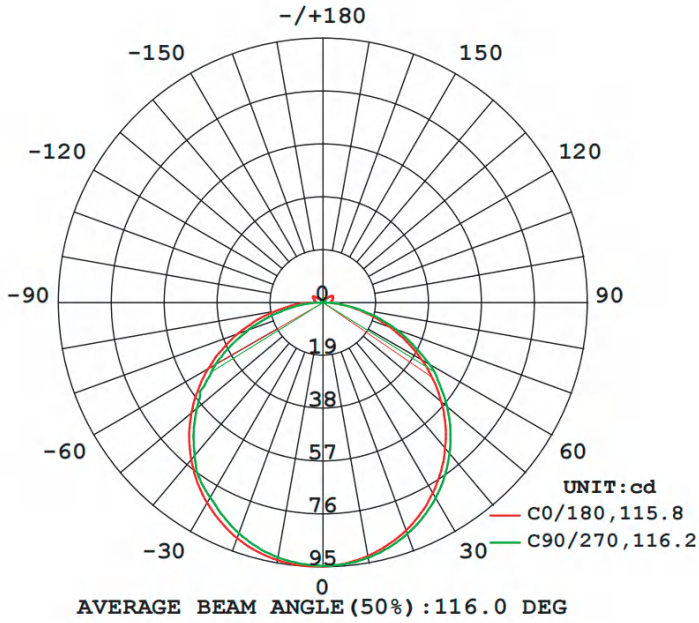
【Luminaire Parameters】

Version	Model	Length	Input Voltage (V)	Max. Current (A/m)	Type Power (W/m)	Max. Power (W/m)	CRI	CCT	Lumen (LM/m)
Regular	AL-BE1010	1000mm (3.28ft)	24	0.275 (0.08A/ft)	6.6 (2.01W/ft)	7.2 (2.2W/ft)	>90	2700K	280 (84LM/ft)
								3000K	290 (87LM/ft)
								4000K	300 (90LM/ft)
								6000K	290 (87LM/ft)

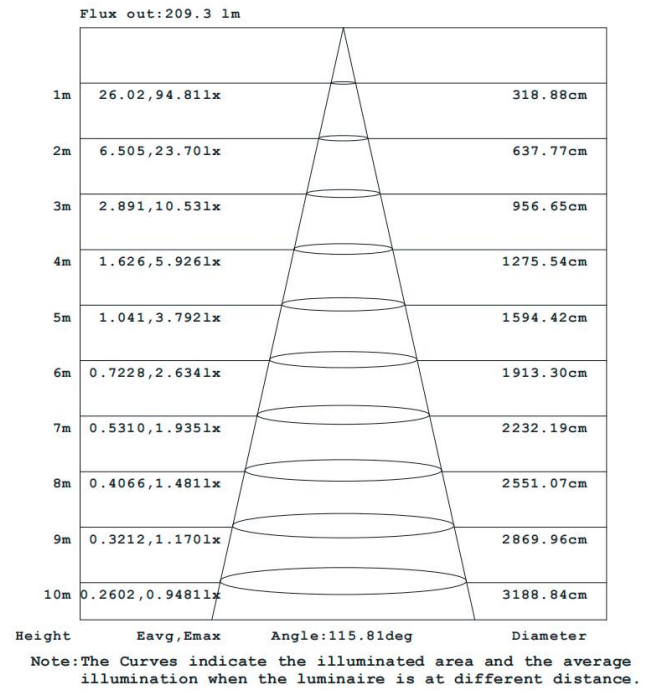
Note:

1. The above parameters were tested based on 1M standard products and D6140-24V-4mm light source ;
2. luminous flux is allowed to have a $\pm 10\%$ error range;
3. The above parameters are typical values.

[Optical Parameter]

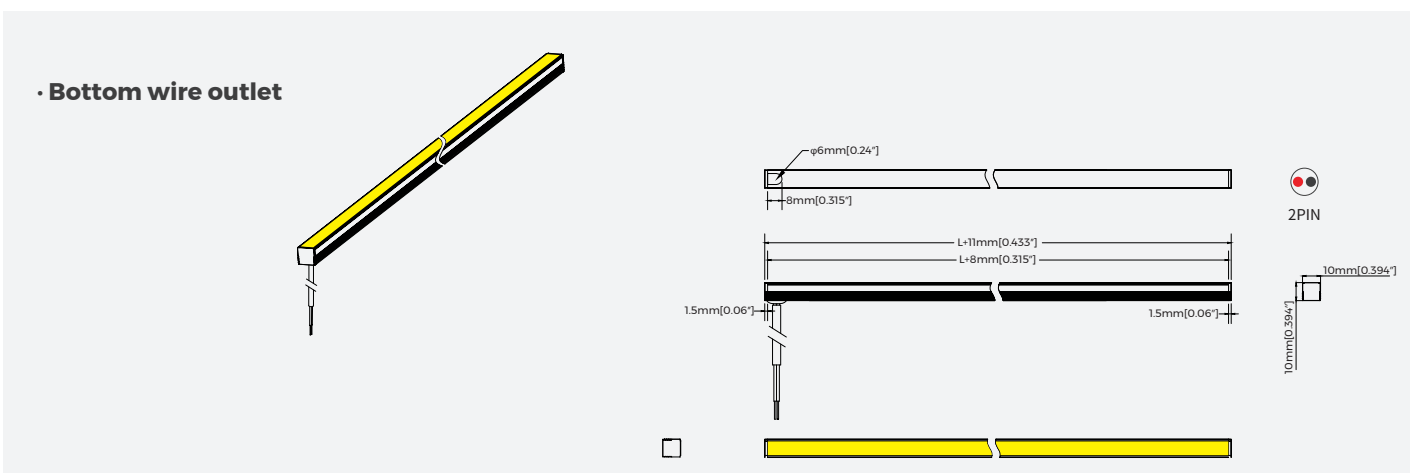
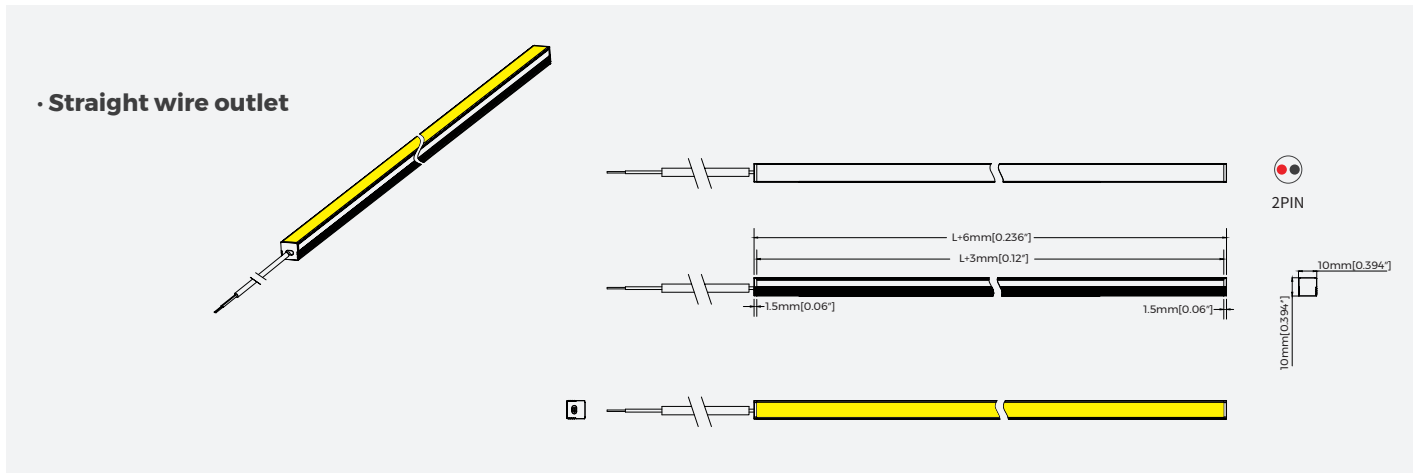


luminous intensity distribution diagram



AAI Figure

[Product mechanical data]



[Application]

