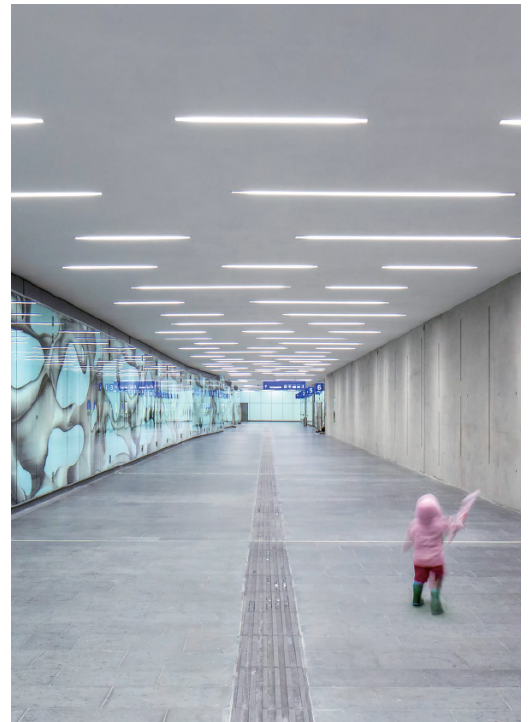
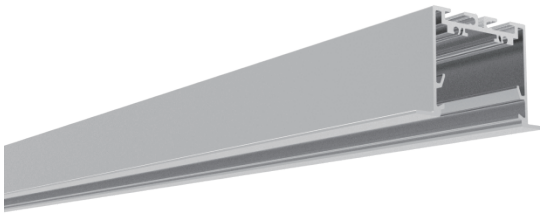
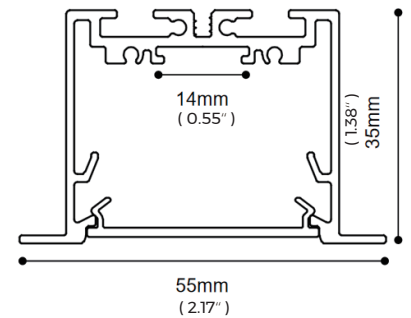


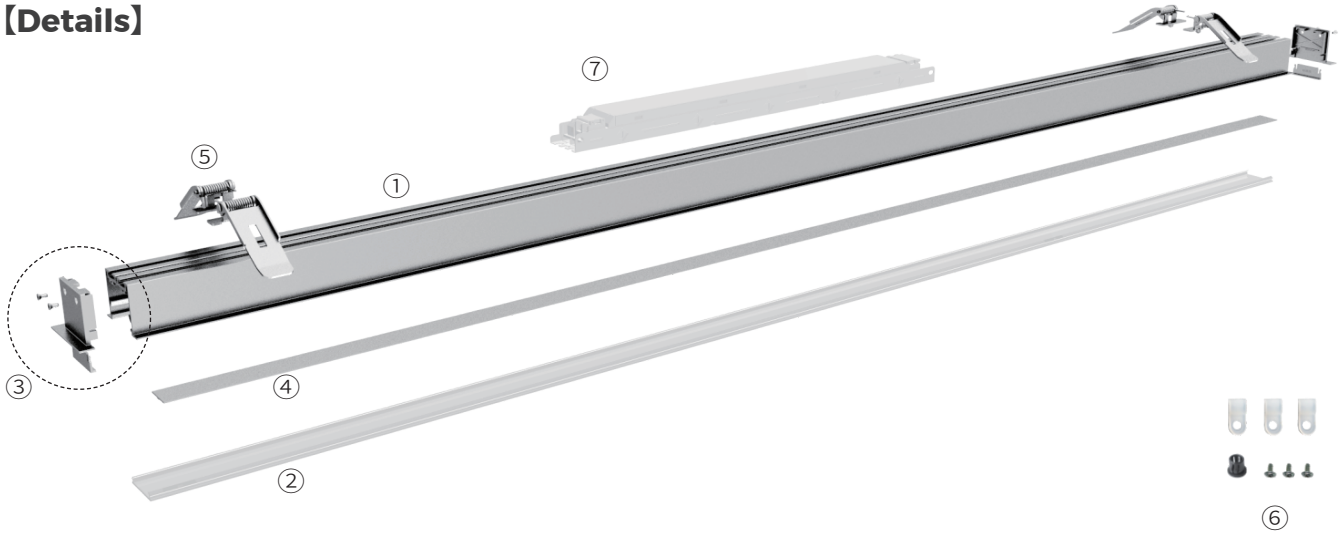
AL-BE5535







【Features】

- Innovative buckle plug, no light leakage
- PC diffuser imported from Germany, producing homogeneous & soft lighting
- Provide standard extenders, customizable interconnected corners
- Recessed installation, convenient and fast

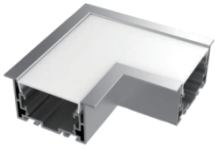


[Details]

[Standard Configuration]

Picture	Item	Parameter
	①Profile	Profile weight: 1.75kg/2.5m Size: L2500*W55*H35mm Material: AL6063-T5 Surface processing: Anodizing
	②Cover	Type: Frosted diffuser Material: PC ; Light transmittance: 80% Size: L2500*W34.8*H5.7mm PC Feature: The diffuser will extend (shrink)0.8mm/m when the temperature raises (drops) 10 C
	③End cap	Model: EC-BE5535FSS Size: L55*W35*H15mm
	⑤Recessed buckle	Model: RB-02 Size: L68.5*W35*H31.6mm

[Corners]

L-type corner (L90-BE5535)



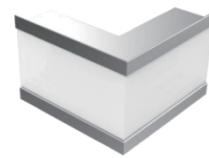
Al6063-T5
L107*W107*H35mm

L-type corner (L90-BE5535)



Al6063-T5
L100*W100*H55mm

L-type corner (L90-BE5535)



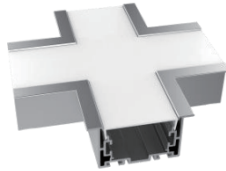
Al6063-T5
L100*W100*H55mm

T-type corner (T90-BE5535)



Al6063-T5
L150*W107*H35mm

X-type corner (X90-BE5535)

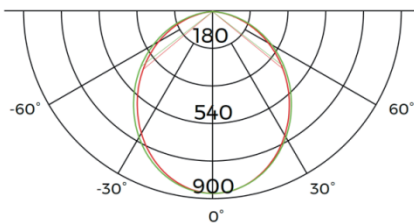


Al6063-T5
L150*W150*H35mm

* The corners can be provided with or without light source

[Optical Parameter]

DL8280-24V-18mm light source, frosted diffuser



1m	312.8,877.3lx	243.14cm
2m	78.20,219.3lx	486.29cm
3m	34.75,97.48lx	729.43cm
5m	12.51,35.09lx	1215.71cm
7m	6.384,17.90lx	1966.01cm
Height	Eavg,Emax	Diameter

Angle: 101.12deg