

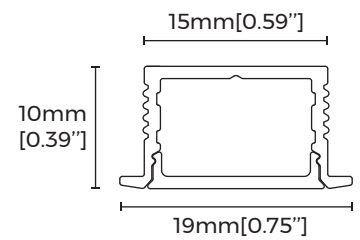
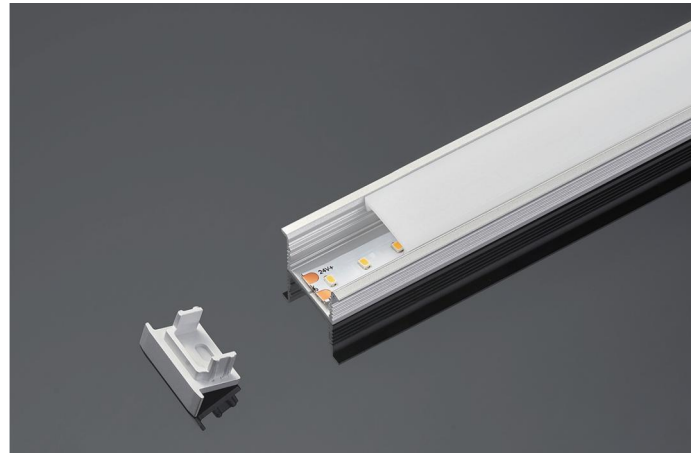


Linear Specification

AL-LE1910

【Basic Parameters】

- Material: AL6063-T5,spraying surface/anodizing
- Coating: Silver anodized(RAL9006),Black(RAL9005), White(RAL9003)
- Length: 2500mm/0-2500mm customizable (Other lengths on request)
- Application: Indoor
- Installation: Recessed
- IP grade: IP20
- Certification: ROHS、Reach
- Warranty: 5 years



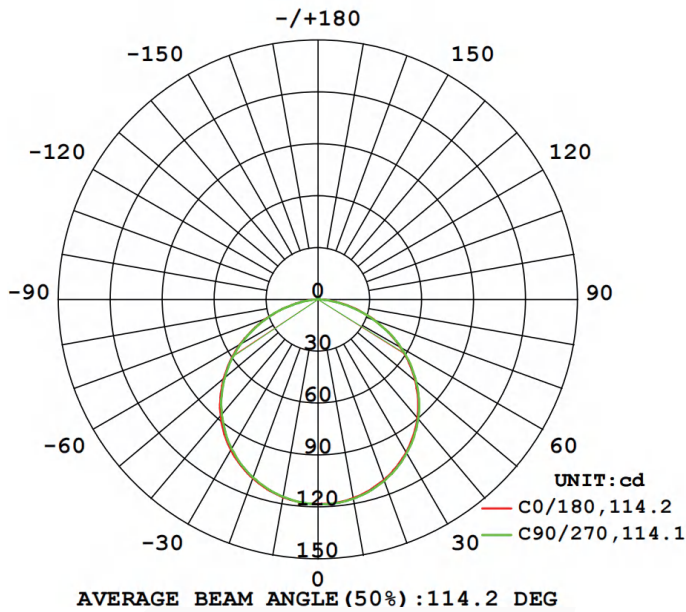
【Luminaire Parameters】

Version	Model	Length	Input Voltage (V)	Max. Current (A/m)	Type Power (W/m)	Max. Power (W/m)	CRI	CCT	Lumen (LM/m)
Regular	AL-LE1910	1000mm (3.28ft)	24	0.29 (0.09A/ft)	7 (2.13W/ft)	7 (2.13W/ft)	>90	2700K	370 (110LM/ft)
								3000K	380 (115LM/ft)
								4000K	400 (120LM/ft)
								6000K	380 (115LM/ft)

Note:

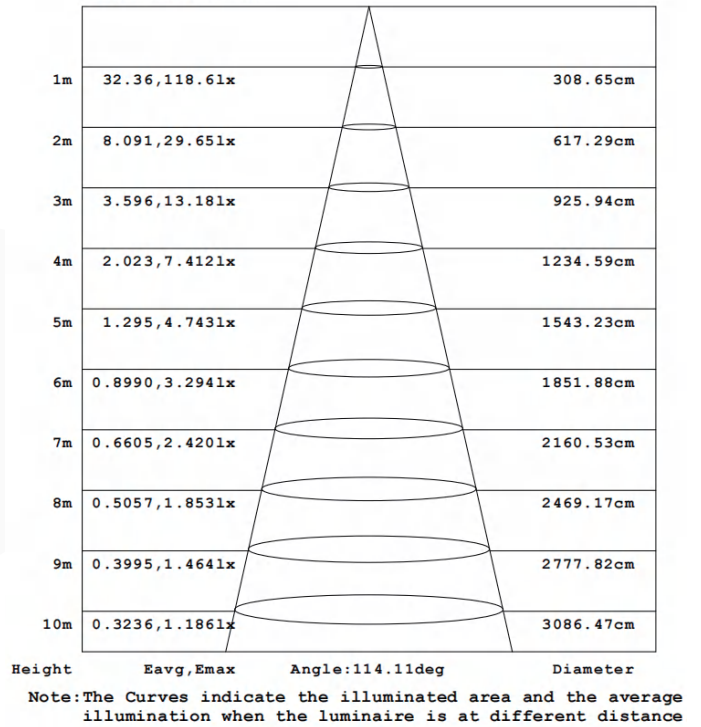
1. The above parameters were tested based on 1M standard products and D6140-24V-8mm light source;
2. luminous flux is allowed to have a $\pm 10\%$ error range;
3. The above parameters are typical values.

[Optical Parameter]



luminous intensity distribution diagram

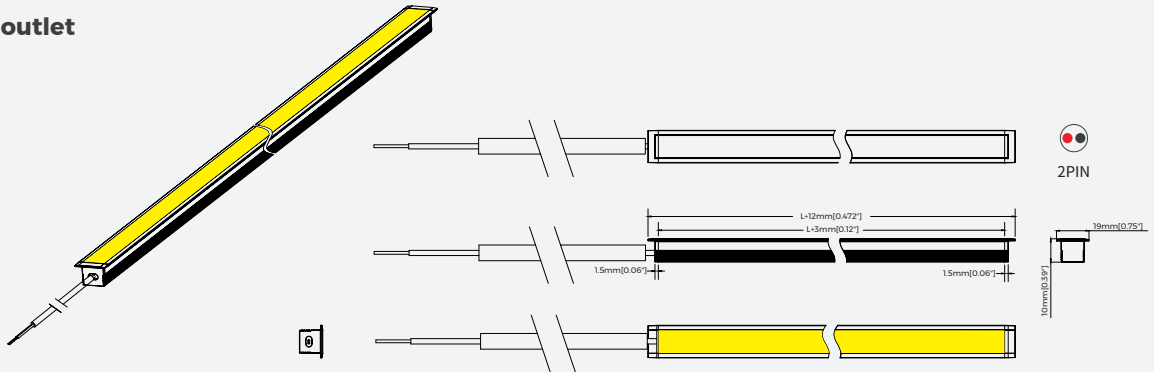
Flux out: 260.4 lm



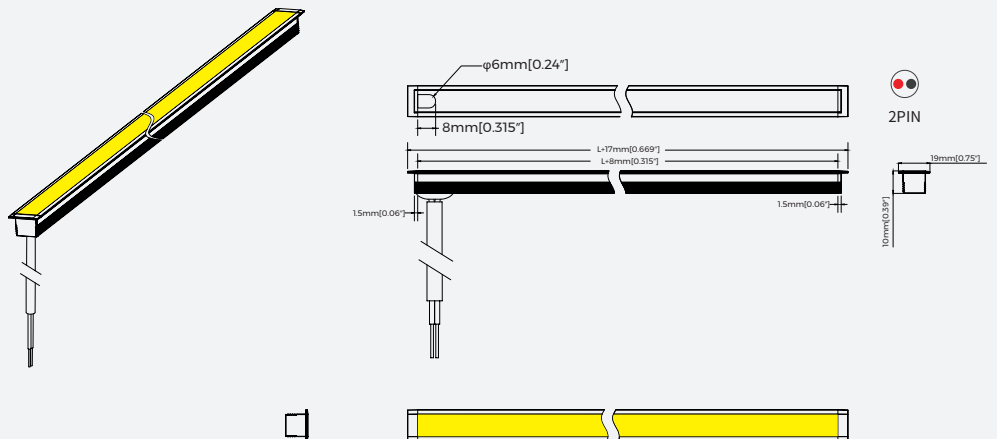
AAI Figure

[Product mechanical data]

• Straight wire outlet



• Bottom wire outlet



[Application]

