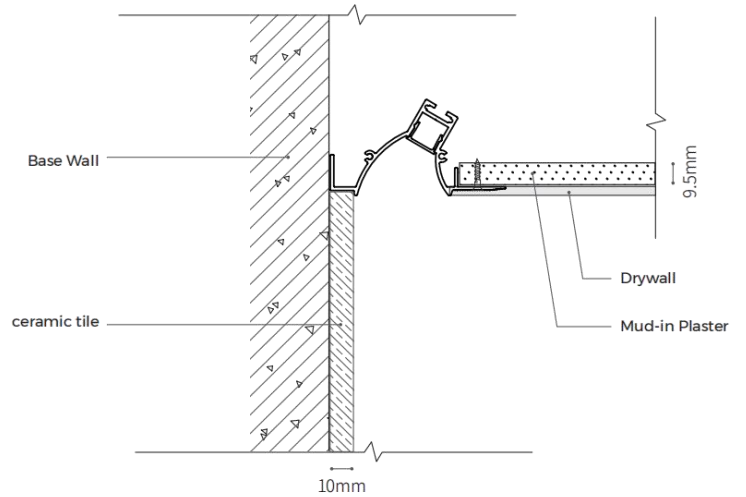
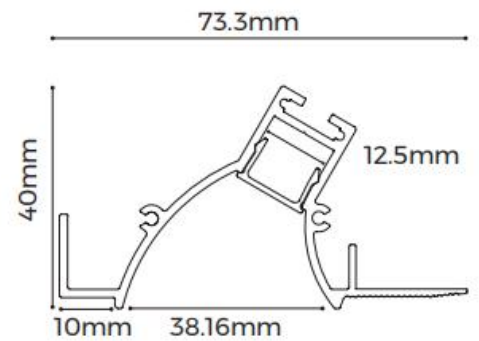


AL-LR3840B






Features

- Rimless recessed design, integrated into architecture.
- AL6063-T5 aluminum profile with high-quality surface treatment.
- Close-fitting end cap design without screw, make installation more convenient.



Standard Configuration

Picture	Item	Parameter	Model
	Profile	Profile weight: 1.75kg/2.5m Size: L2500*W73.3*H40mm Material: AL6063-T5 Surface processing: Spraying RAL9003	/
	Cover	Type: Frosted diffuse Material: PC Light transmittance: 60% Size: L2500*W13.5*H8.5mm (shrink) 0.8mm/m when the temperature rises (drops) 10°C.	/
	End caps	Size: L43.3*W40*H1.5mm Material: AL6063-T5	AL-EC-LR3840B

Optical Parameter

(D6280-24V-8mm light source, frosted diffuser)

