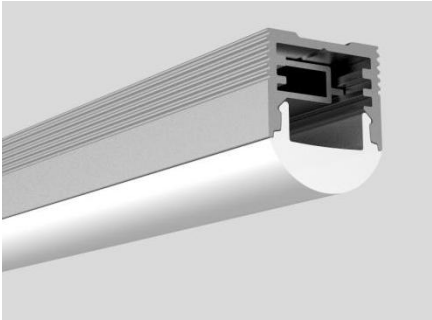
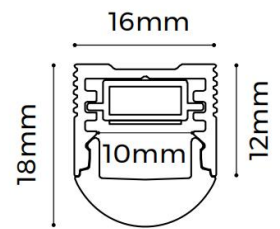


## AL-LS1612L

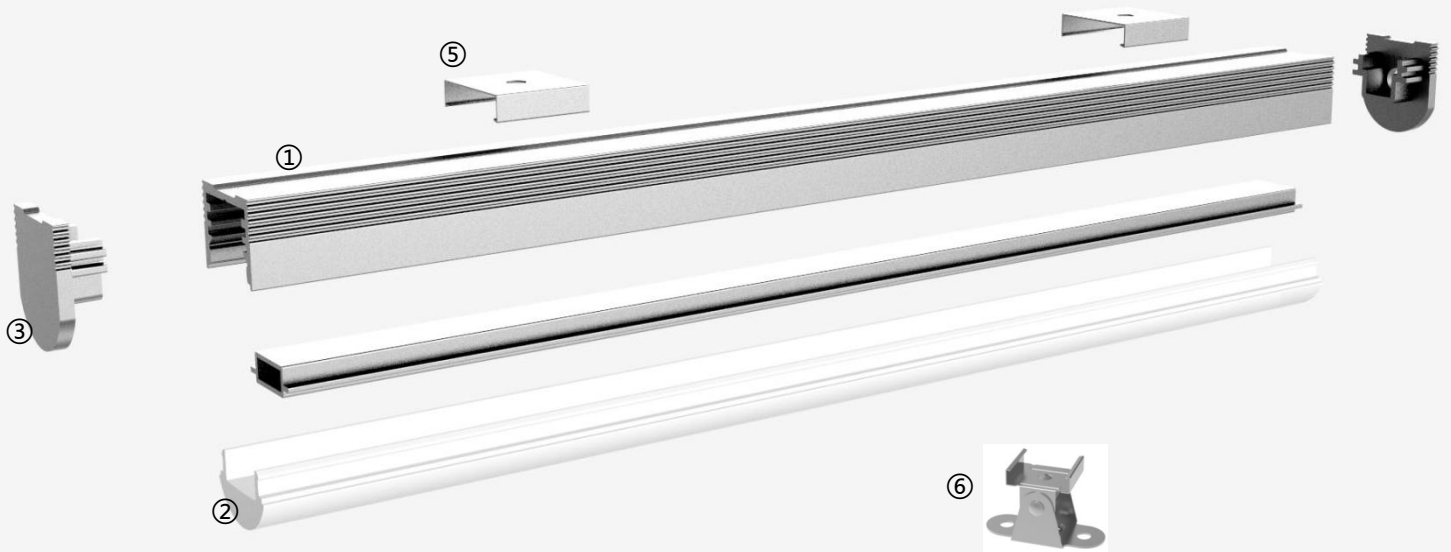


### Features



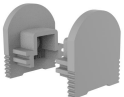
- By changing the position of the carrier, a variety of beam angles of 20° / 40° / 60° / 80° can be achieved
- AL6063-T5 aluminum profiles with high quality surface treatment and three optional colors of black, white and silver
- Close-fitting design without screws, optional end caps with or without holes



## Details

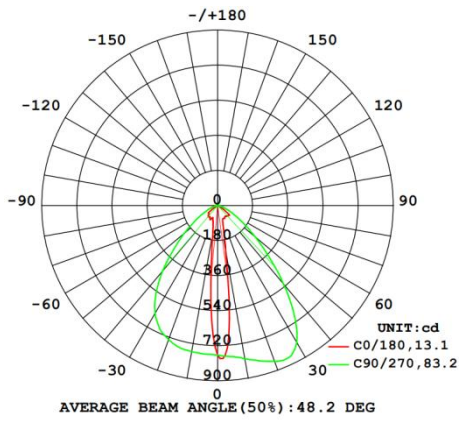


## Standard Configuration

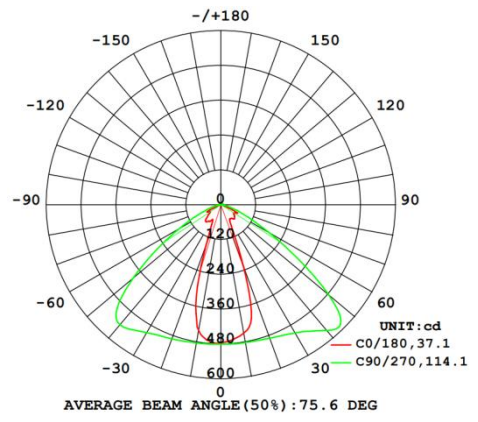
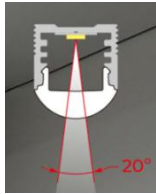
Picture	Item	Parameter	Model
	① Profile&Carrier	Material: AL6063-T5 Profile weight: 0.5kg/2.5m Size: L2500*W16*H12mm Surface processing: Anodizing	/
	② Cover	Type: Frosted diffuser Material: PMMA Light transmittance: 85% Size: L2500*W15.81*H9.94mm (shrink) 0.8mm/m when the temperature rises (drops) 10°C.	/
	③ End caps	Size: L16*W7*H18mm	AL-EC-LS1612L

## Optical Parameter

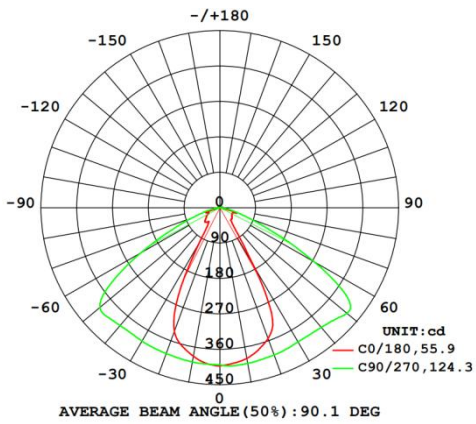
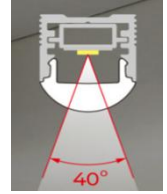
D6140-24V-8mm ( light source, Clear sanding diffuser )



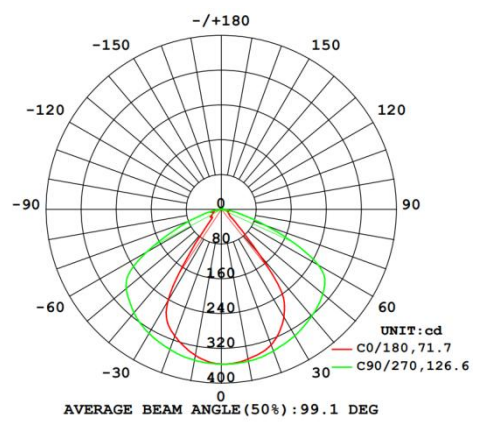
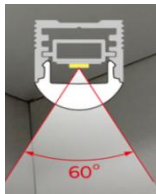
Beam angle: 20°



Beam angle: 40°



Beam angle: 60°



Beam angle: 80°

