

AL-LS5050

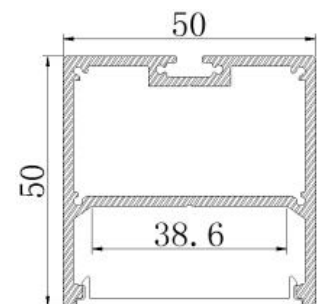


Features

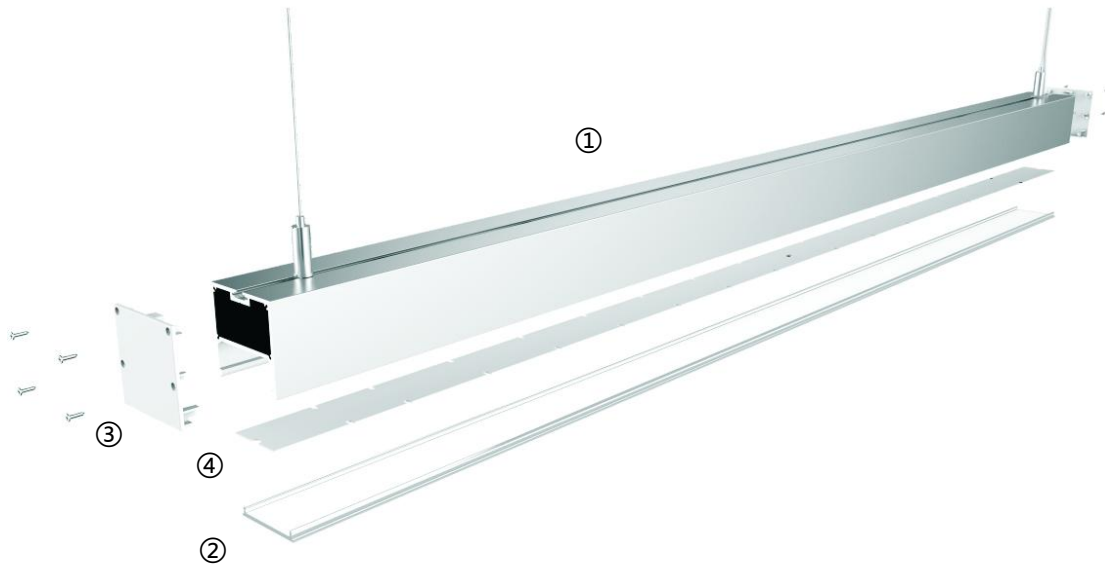
DLS1.0, a special local auxiliary lighting system, can be widely used in various interior decoration scenarios and local light spaces. A touch of auxiliary decorative lighting in addition to the basic lighting creates different atmospheres and visual enjoyment.

Embellish life with light that follows you whenever you go.



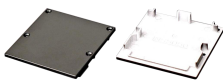
- 1、 “Dots-free”lighting
Perfect homogenous lighting.
- 2、 Various diffuser options
Several options of diffusers, In various shapes and light distribution plans Complete with everything needed
- 3、 “Two” end caps
Two options of end cap for two ways of wire outgoing, Close-fitting design without screws makes installation much easier
- 4、 Various installation methods
A wide range of installation accessories wider applications
- 5、 “One” cut
Consistent length between diffuser and profile
- 6、 Smart control for unlimited possibilities
Perfectly match the profiles like customized, Control by hand sweep or touching



Details



Standard Configuration

Picture	Item	Parameter	Model
	①Profile	Material: AL6063-T5 Profile weight: 1.218kg/m Size: L2500*W50*H50mm Surface processing: Anodizing	/
	②Cover	Type: Frosted diffuser Material: PC Light transmittance: 85% Size: L2500*W44.7*H6.1mm (shrink) 0.8mm/m when the temperature rises (drops) 10°C.	/
	③End caps	Size: L50*W50*H12mm	AL-EC-LS5050