



APPLICATIONS

- Building perimeters
- Landscapes
- Car Parks

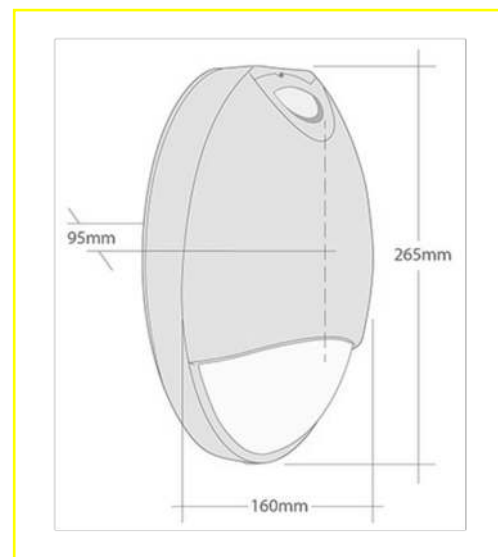
CONSTRUCTION

- Die-cast aluminium body with integral heatsink
- Polycarbonate diffuser
- Chromate conversion powder coated

TECHNICAL DETAILS

- Switchable integral photo-cell
- Type IV Optic
- CRI>80
- CCT 4000K

DIMENSIONS



ORDER CODE	DESCRIPTION
VIT-15-90-4000	VITI 15W HOOD 1,050LM BLACK BODY

OPTIONS	DESCRIPTION
/M3	3HR EMERGENCY
/PCV	PRODUCT COLOUR VARIATION

Ordering Format: Product Code / Option

Example: VIT-15-90-4000-M3

IP65

