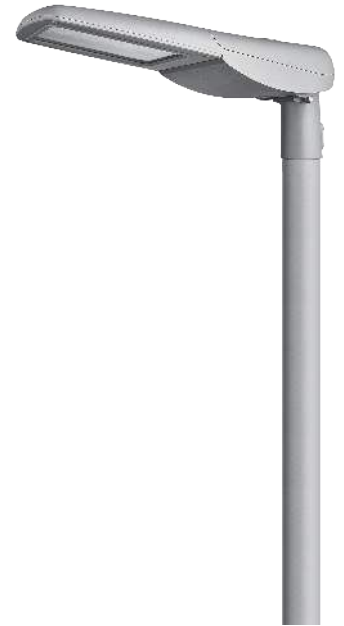


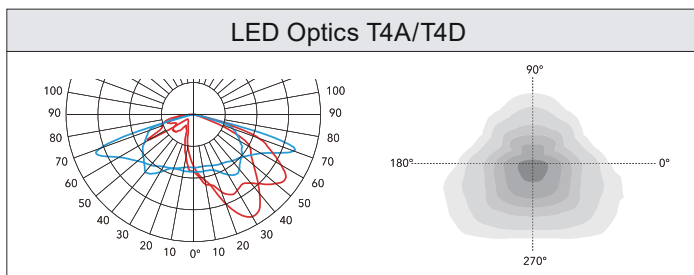
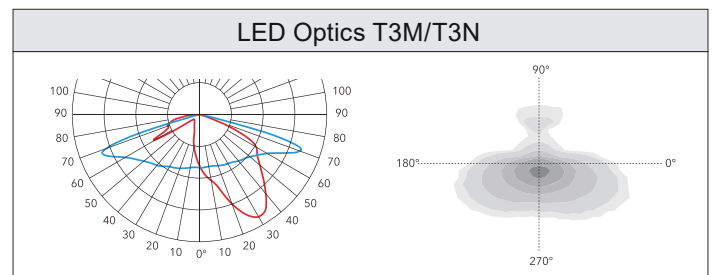
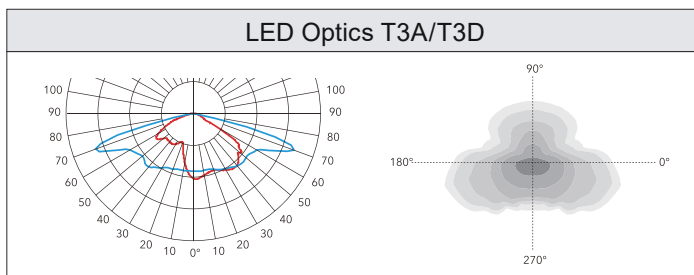


A practical, high-end LED street light with two size options and a power range of 40W to 150W. Ideal for use in urban areas as well as commercial applications, with a matching floodlight also available.

- Die-cast aluminium housing available in two sizes, with super white tempered glass. Attractive, modern design.
- Optical lenses with multiple distribution options, offering visual comfort and uniform light distribution.
- High quality LED chips and DALI driver as standard, with in-built surge protection up to 20KV.
- Tool-free, easy open housing for fast installation and maintenance. Power automatically disconnects when housing is opened for additional safety.
- Adjustable mounting bracket allows both horizontal and vertical pole mounting. Bracket suitable for Ø60mm pole diameter, bracket accessories available for other pole sizes.
- UV protected pure polyester powder coated housing offering high corrosion resistance.
- Suitable for use with a range of controls and remote management systems.
- All external screws are 304 stainless steel as standard.
- RAL9007, other RAL colours available on request.



## Optics



**Product Specification**

CODE	OPTIC	LED Qty	CCT	LUMENS	CRI	POWER	IP	IK	WEIGHT
URB-XS40	T3A	24	3000/4000	5040/5290	>70	40W	IP66	IK09	5.2
URB-XS40	T3M			5080/5330					
URB-XS40	T4A			5020/5270					
URB-XS75	T3D	36	3000/4000	9390/9860	>70	75W	IP66	IK09	5.5
URB-XS75	T3N			9420/9890					
URB-XS75	T4D			9370/9830					
URB-XS100	T3D	36	3000/4000	12460/13080	>70	100W	IP66	IK09	5.5
URB-XS100	T3N			12480/13100					
URB-XS100	T4D			12410/13030					
URB-S120	T3A	48	3000/4000	15120/15870	>70	120W	IP66	IK09	6.8
URB-S120	T3M			15180/15930					
URB-S120	T4A			15080/15830					
URB-S150	T3A	48	3000/4000	18720/19650	>70	150W	IP66	IK09	6.8
URB-S150	T3M			18790/19730					
URB-S150	T4A			18690/19620					

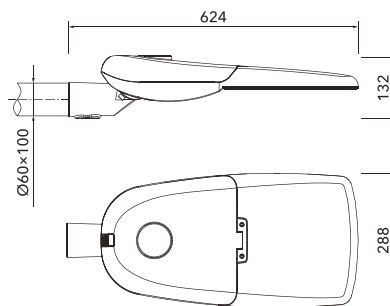
**Driver Details**

Product	URB-XS40	URB-XS75	URB-XS100	URB-M120	URB-M150
Driver	TRIDONIC				
Dimming control	DALI				
Driver current	1050mA	680mA	980mA	810mA	1000mA
Inrush current	24.88A, 236µs	41.6A, 238µs	41.6A, 238µs	65A, 268µs	80A, 250µs
Power factor	0.97	0.97	0.98	0.98	0.98

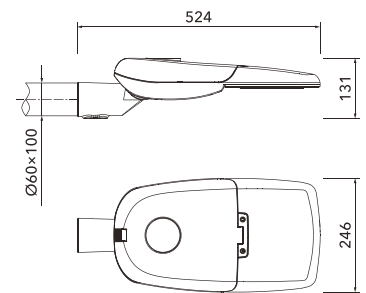
**General Specification**

<b>Input voltage</b>	220-240V
<b>Input frequency</b>	50/60Hz
<b>Surge protection</b>	20KV
<b>LED Chips</b>	Philips 5050
<b>Lifetime</b>	L70 100,000hours   L80 70,000 hours   L90 34,000 hours
<b>SDCM</b>	SDCM<6
<b>Class</b>	Class I
<b>Ambient temperature</b>	-20°C to +50°C
<b>Material</b>	High pressure die-cast aluminium housing with tempered glass
<b>Finish</b>	Polyester powder coat cured under heat
<b>RAL colour</b>	RAL9007

**Dimensions**



**URB-S**



**URB-XS**