

# Technical Datasheet

## Climate IP LEDBAY

Industrial



# AURALED



### KEY FEATURES

Compact, lightweight sleek design with powder coated steel body and geartray.

Utilising the very latest in LED Technology with Philips Fortimo Boards |Xitanium Drivers and Trustsight Emergency achieving high lumen efficacy up to 150lm/w.

A choice of Optical Lens:  
Wide | Narrow | High-Rack to suit all applications.

### APPLICATIONS

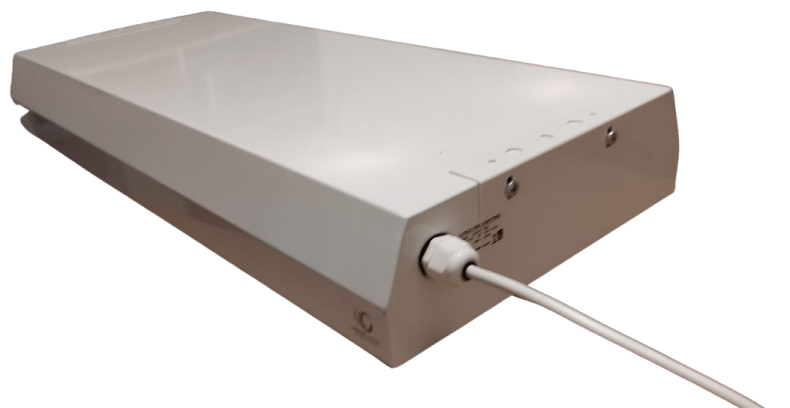
Warehouse, Distribution and Logistics facilities. Sports and Leisure complexes, 'out-of-town' retail and Automotive Repair.

### DESCRIPTION

An energy efficient, professional, manufactured high level luminaire IP65

Designed to replace traditional Hi-bay|Low-bay and T5 luminaires whilst enjoying energy savings in excess of 60% of existing luminaires.

Presence & Daylight sensors available to further increase savings as well as Connected Lighting (I.o.T) Systems available.



# Technical Datasheet

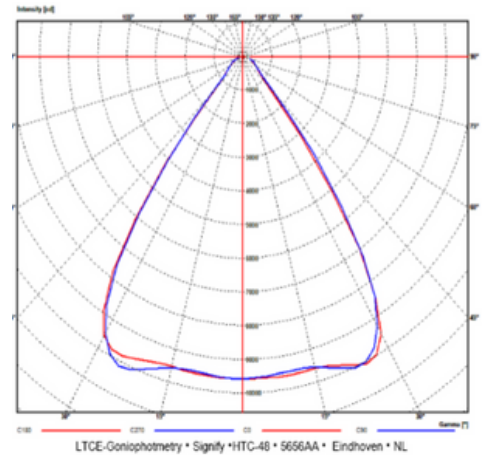
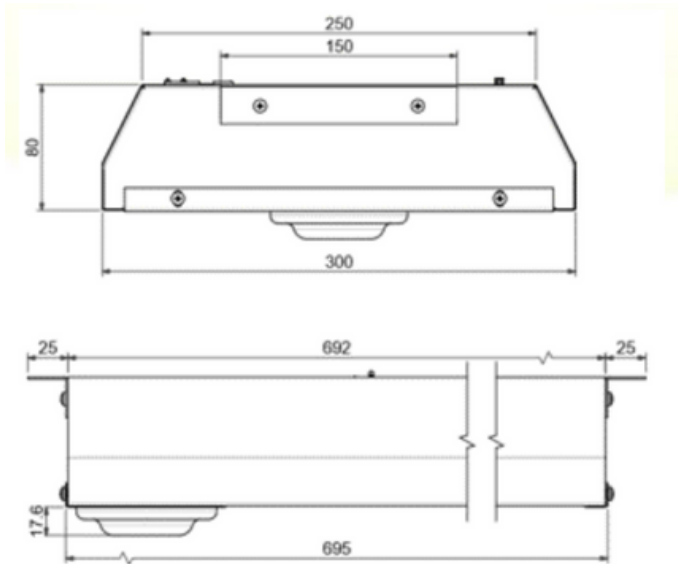
## Climate IP LEDBAY

Industrial



# AURALED

### TECHNICAL DATA



Code	Watts (W)	Lumens (LM)	Colour Temp	Optic	Size (L)	Size (W)	Size (H)	Weight
AL-LXCMT 9W	60W	9,000	4000K	WIDE BEAM	700mm	300mm	90mm	5KG
AL-LXCMT 12W	82W	12,000	4000K	WIDE BEAM	700mm	300mm	90mm	5KG
AL-LXCMT 15W	99W	15,000	4000K	WIDE BEAM	700mm	300mm	90mm	5KG
AL-LXCMT 18W	121W	18,000	4000K	WIDE BEAM	700mm	300mm	90mm	5KG
AL-LXCMT 21W	137W	21,000	4000K	WIDE BEAM	700mm	300mm	90mm	5KG
AL-LXCMT 24W	164W	24,000	4000K	WIDE BEAM	700mm	300mm	90mm	6KG
AL-LXCMT 28W	180W	28,000	4000K	WIDE BEAM	700mm	400mm	90mm	7KG
AL-LXCMT 32W	220W	32,000	4000K	WIDE BEAM	700mm	400mm	90mm	7KG

#### Options

- /EM** 3hr Integral Emergency
- /D** DALI Dimmable
- /PRO** PIR & Daylight Dimming Sensor
- /NB** Narrow Beam Optic
- /HR** High Rack Optic
- /EMD** DALI 3hr Integral Emergency
- /ADV** PIR Sensor
- /PRO-CONNECT** Wireless Communication via Bluetooth/Mobile App/PC Dashboard